



Product Catalog

Content

○ About Us	3
○ Modular A+B+C Collection	4 - 20
○ Modular A+B+C Custom Collection	21 - 29
○ Sculptural Collection	30 - 39
○ Contact Us	40



About Us

We specialize in high-quality, natural wood outdoor wellness solutions, including combined sauna and hot tub structures designed for year-round use.

Our designs focus on blending modern geometry with natural materials to create a seamless connection between luxury and the surrounding environment.

Key Features

- **Versatility:** Solutions ranging from compact private saunas to large L-shaped modules for up to 16 persons.
- **Integrated Systems:** Options for air and hydro massage systems, LED lighting, and wood-fired or electric heating.
- **All-Season Comfort:** Every model is engineered to be suitable for year-round use in any climate.

Premium Materials & Craftsmanship

- **SWP (Solid Wood Panels):** Our structures are built using high-grade natural wood to ensure durability, warmth, and an authentic sauna atmosphere.
- **8mm Tempered Glass:** We utilize 8mm tempered glass for our panoramic windows and sliding doors, providing a bright, open interior while maintaining safety and superior thermal insulation.
- **Design Excellence:** Featuring softly rounded silhouettes, sculptural forms, and clean modern geometry that enhances any outdoor setting.

Modular A+B+C Collection

A refined collection of modular outdoor wellness solutions designed for seamless spa rituals under one roof.

By combining sauna (A), changing room (B), hot tub (C), and terrace (E) modules, each model adapts to different spaces and privacy needs while maintaining a unified architectural language.



Natural wood, clean geometry, and thoughtful layouts create a balanced experience — from quiet heat to open-air relaxation.

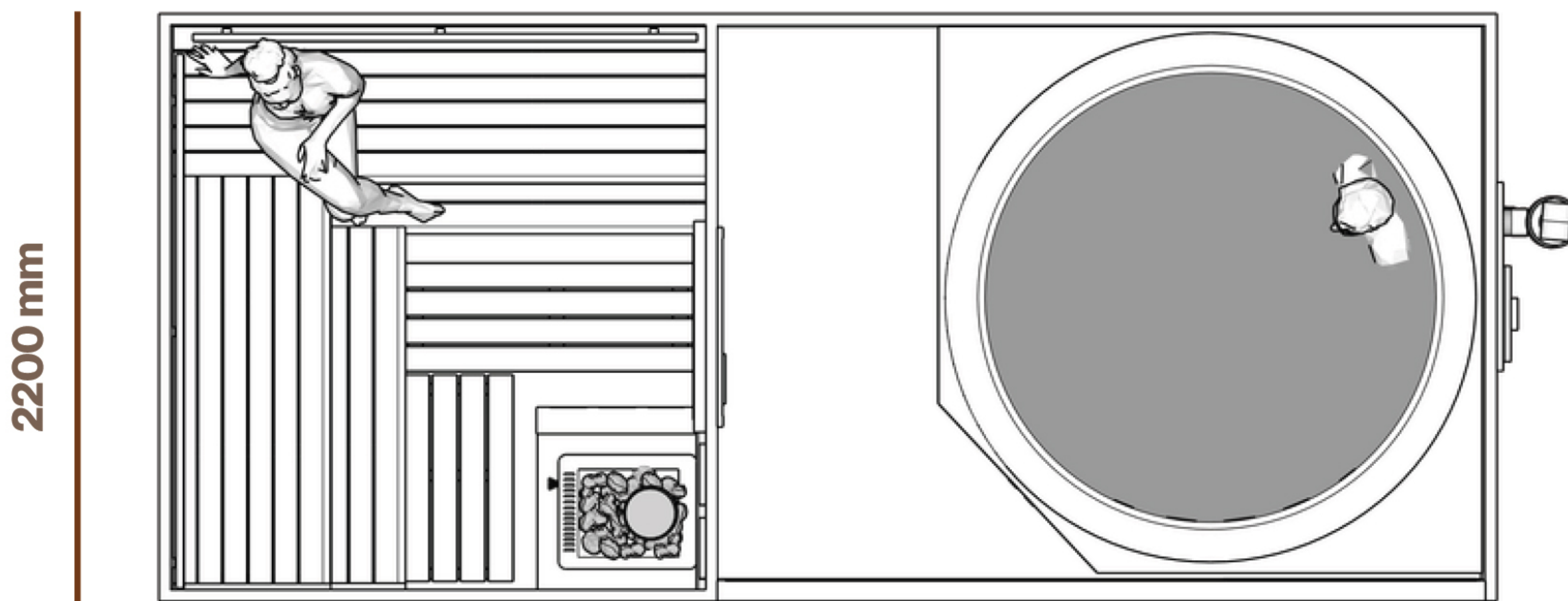


A+C with Sliding Doors

A combined sauna and hot tub solution, designed for calm and high-quality relaxation.

Natural wood and sliding panoramic glass doors create a bright space that blends seamlessly with the surrounding environment, while maintaining privacy and comfort.

4980 mm



2330 mm



Natural wood



Acrylic hot tub insert



Up to 4 - 6 people



LED lighting



Air and hydro massage system



Suitable for year-round use



Wood-fired or electric heating



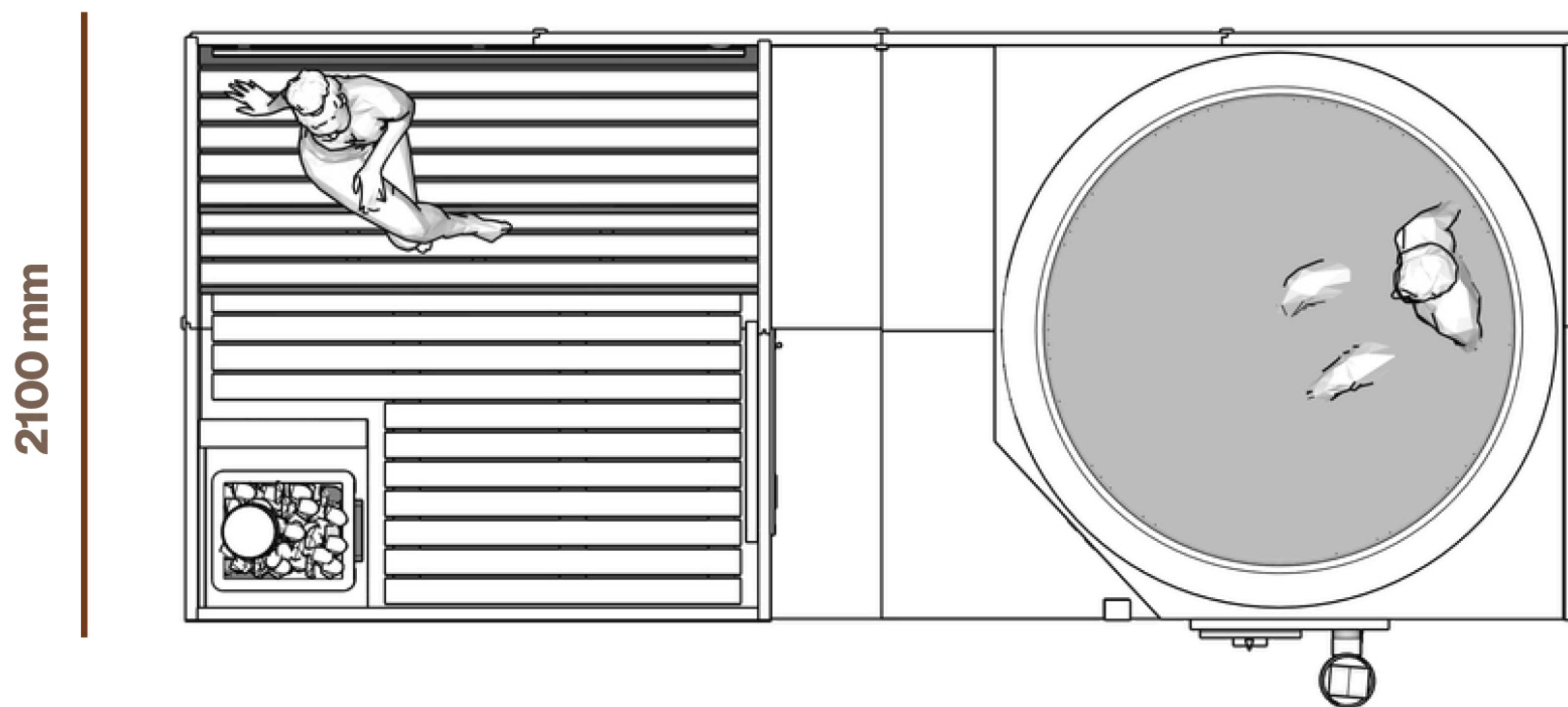
Leather hot tub cover included



A+C

A sauna and hot tub combination designed for comfortable and well-balanced relaxation within a single structure. Its enclosed layout provides a sense of privacy and a clear spatial experience while maintaining the warmth of natural wood.

4980 mm



2330 mm



Up to 4 - 6 people



Suitable for year-round use



Natural wood



LED lighting



Wood-fired or electric heating



Acrylic hot tub insert



Air and hydro massage system



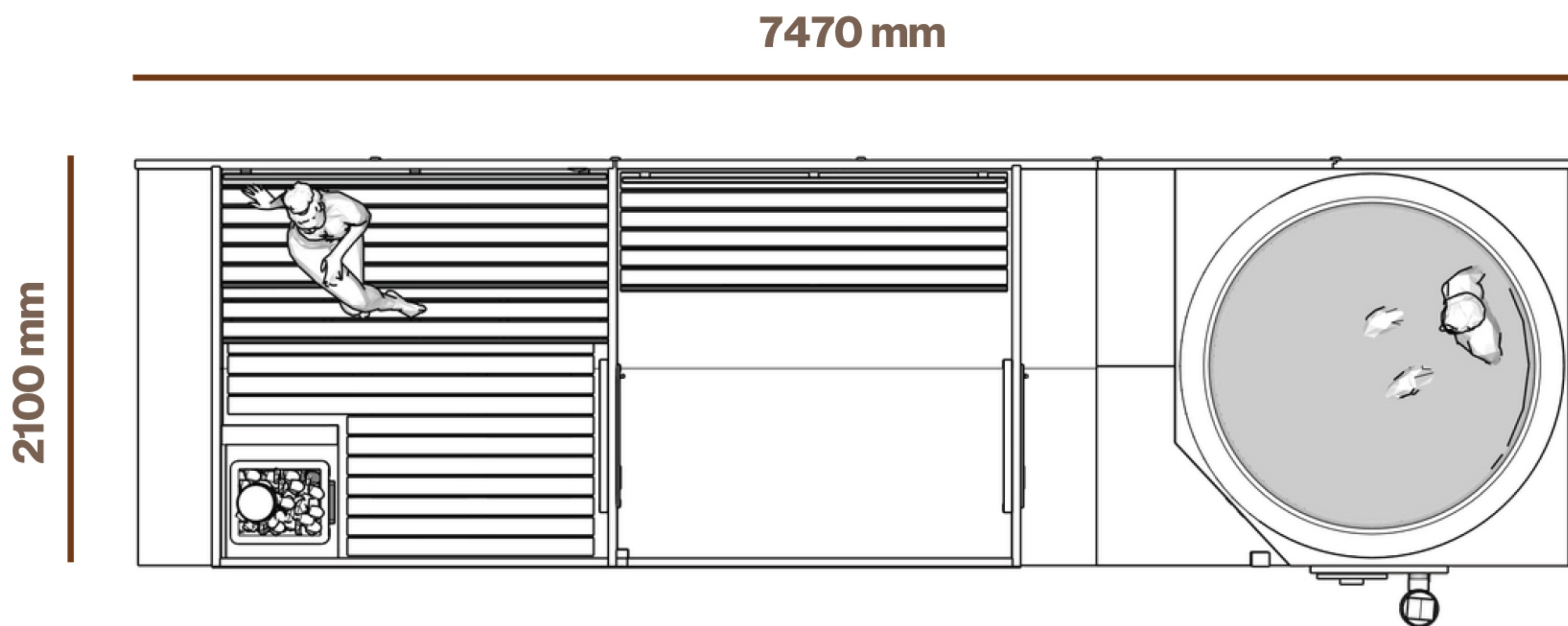
Leather hot tub cover included



A+B+C

A combined sauna, changing room, and hot tub designed for a seamless full spa ritual.

The clear layout creates a greater sense of space and comfort, delivering a complete and well-balanced relaxation experience within one unified structure.



2330 mm

Up to 4 - 6 people

Suitable for year-round use

Natural wood

LED lighting

Wood-fired or electric heating

Acrylic hot tub insert

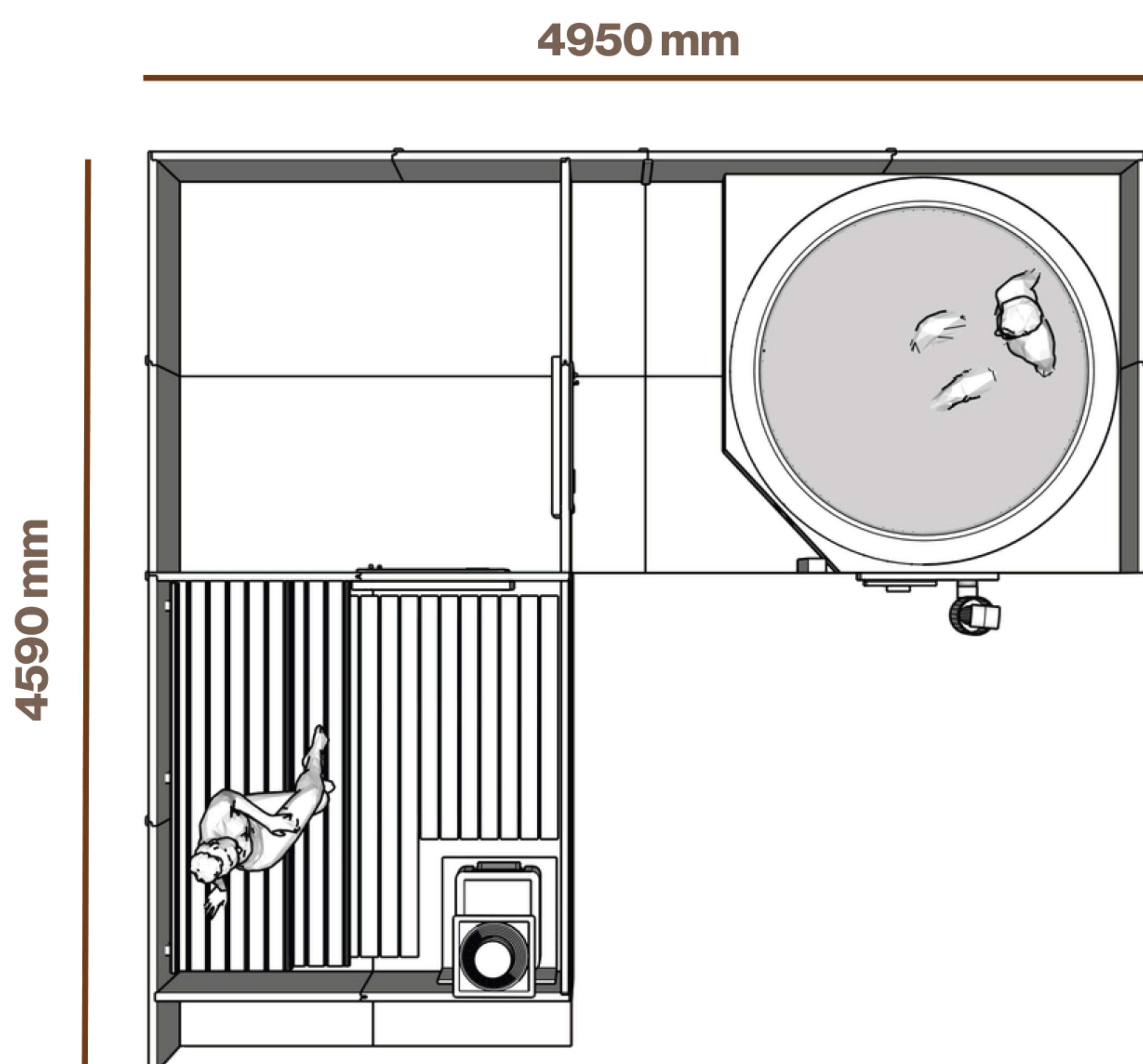
Air and hydro massage system

Leather hot tub cover included



A+B+C Corner

A sauna, changing room, and hot tub combination arranged in a corner layout, designed for a seamless full spa ritual. The angular structure naturally separates the zones, creating a greater sense of privacy and efficient use of outdoor space.



-  2330 mm
-  Up to 4 - 6 people
-  Suitable for year-round use
-  Natural wood
-  LED lighting
-  Wood-fired or electric heating
-  Acrylic hot tub insert
-  Air and hydro massage system
-  Leather hot tub cover included

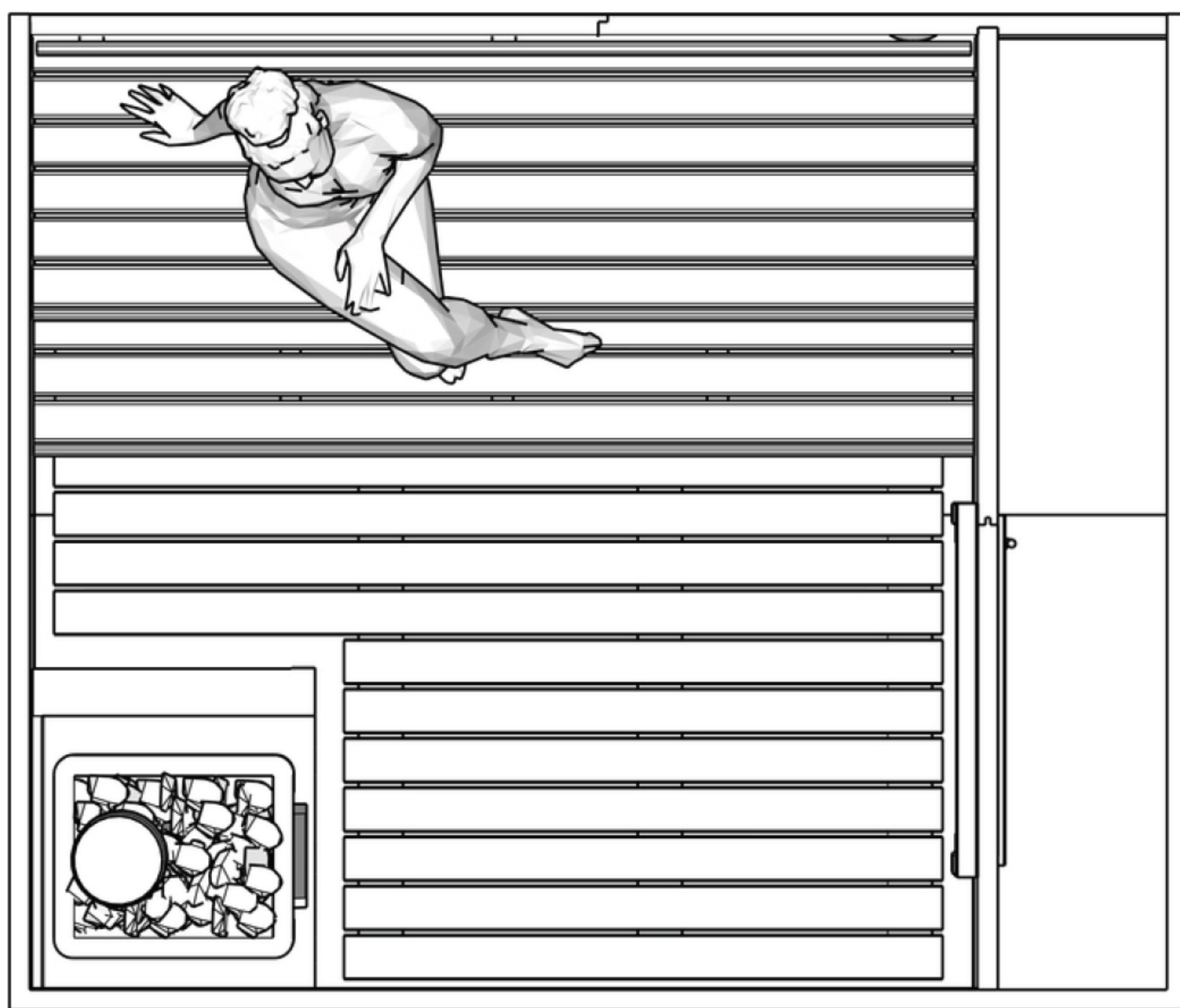


A

A is a compact sauna designed for calm, focused relaxation. Its simple layout and natural materials create a balanced, comfortable space, while the large glass front brings in light and a subtle connection to the surroundings.

2490 mm

2100 mm



2330 mm



Up to 4 people



Suitable for year-round use



Natural wood



LED lighting

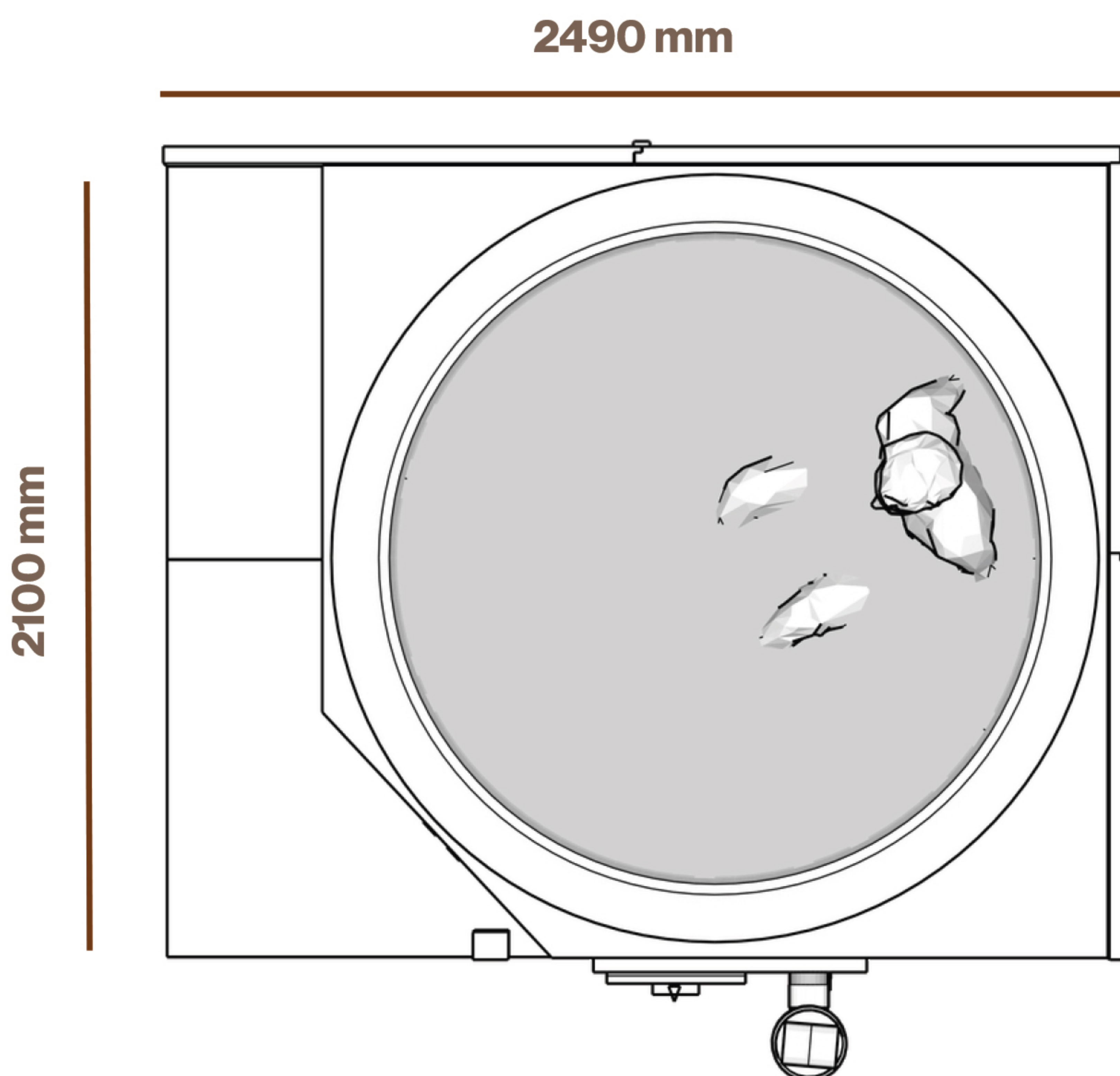


Wood-fired or electric heating

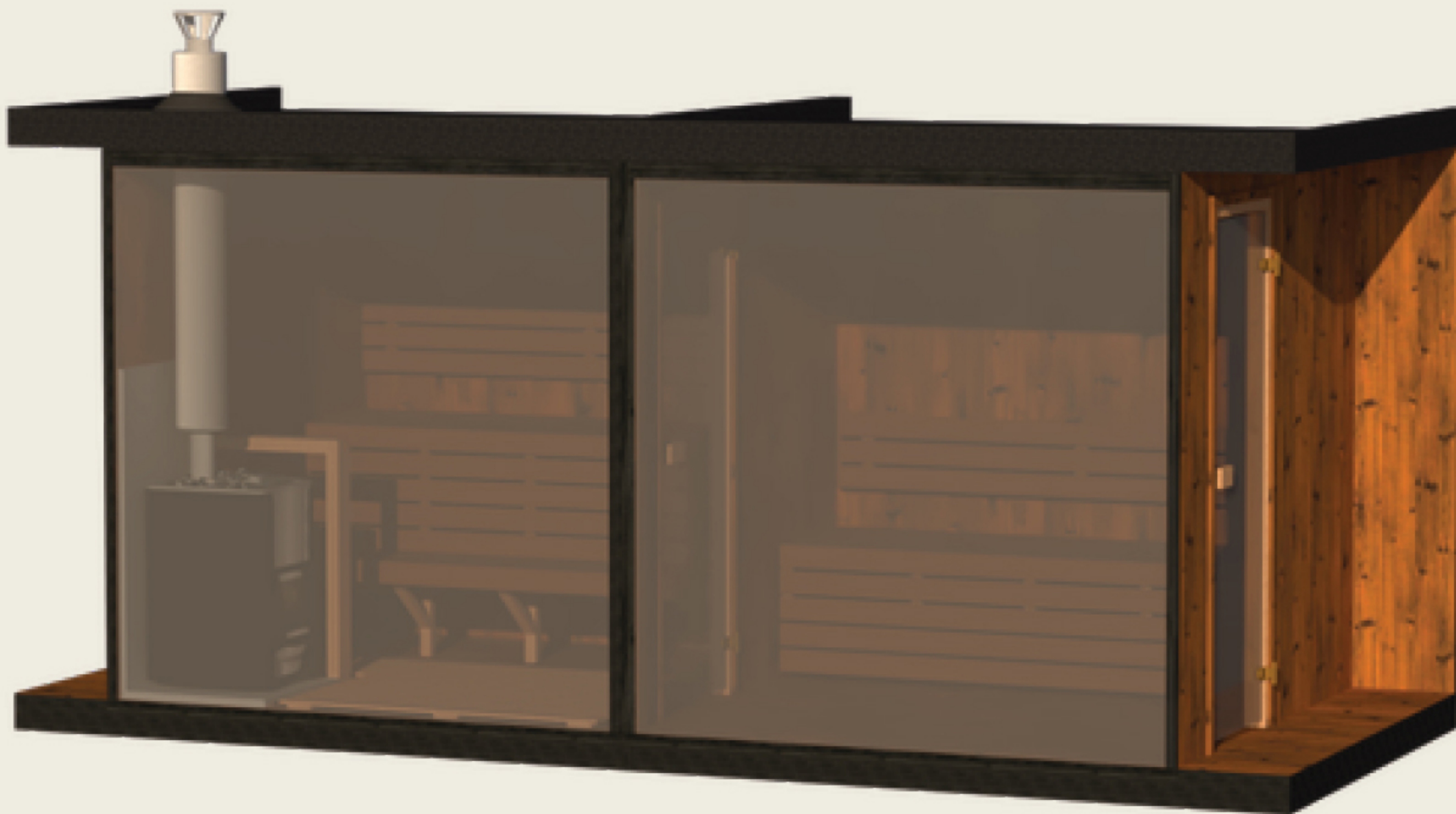


C

A compact hot tub module designed for comfortable, year-round use. Natural materials and a sheltered layout create a private and relaxing bathing experience.

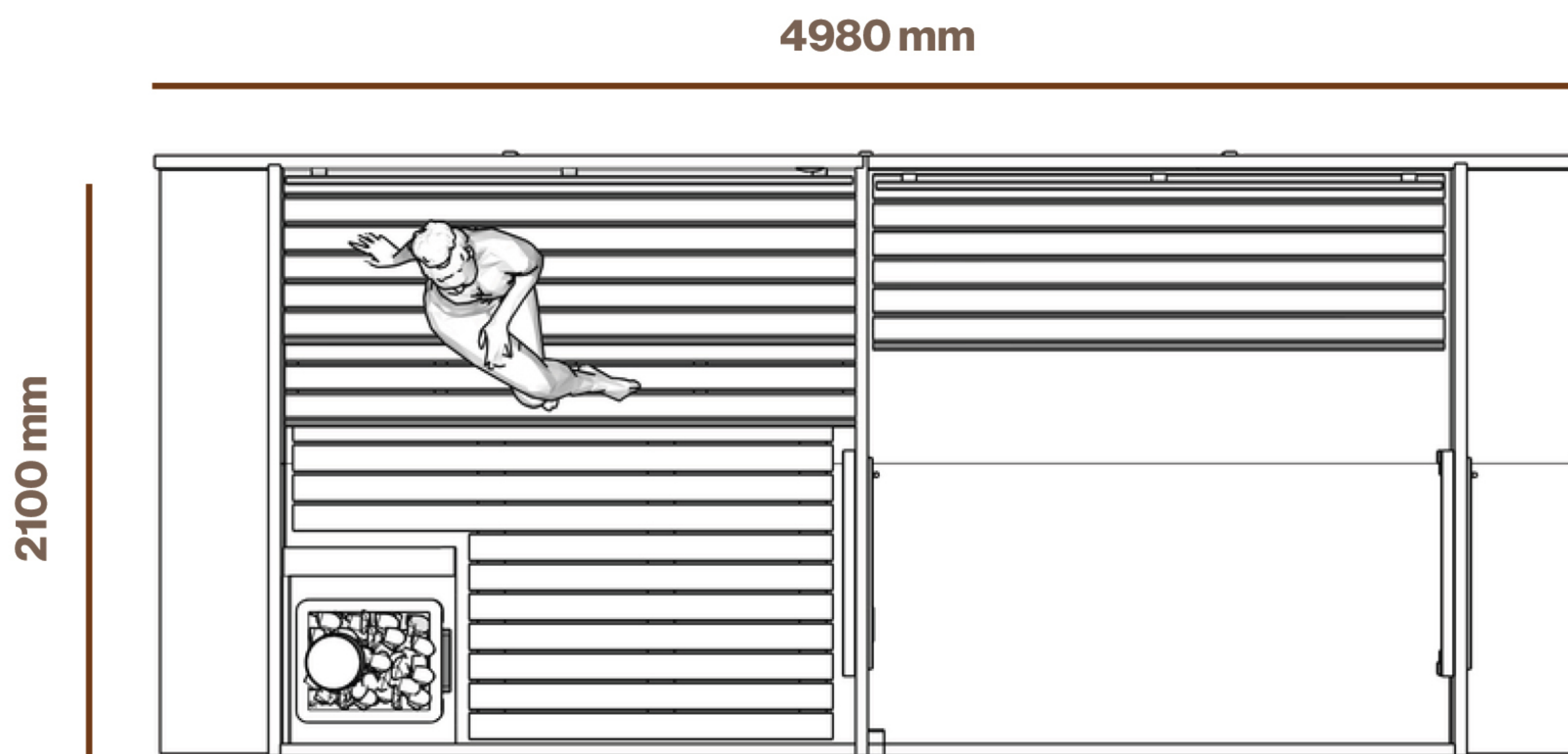



-  2330 mm
-  Up to 5 people
-  Suitable for year-round use
-  Natural wood
-  LED lighting
-  Wood-fired or electric heating
-  Acrylic hot tub insert
-  Air and hydro massage system
-  Leather hot tub cover included



A+B

A combined sauna and changing room solution designed to support a smooth and comfortable sauna routine. The separate anteroom provides a practical space for changing, resting, or storing personal items, allowing for a more relaxed and organised experience.

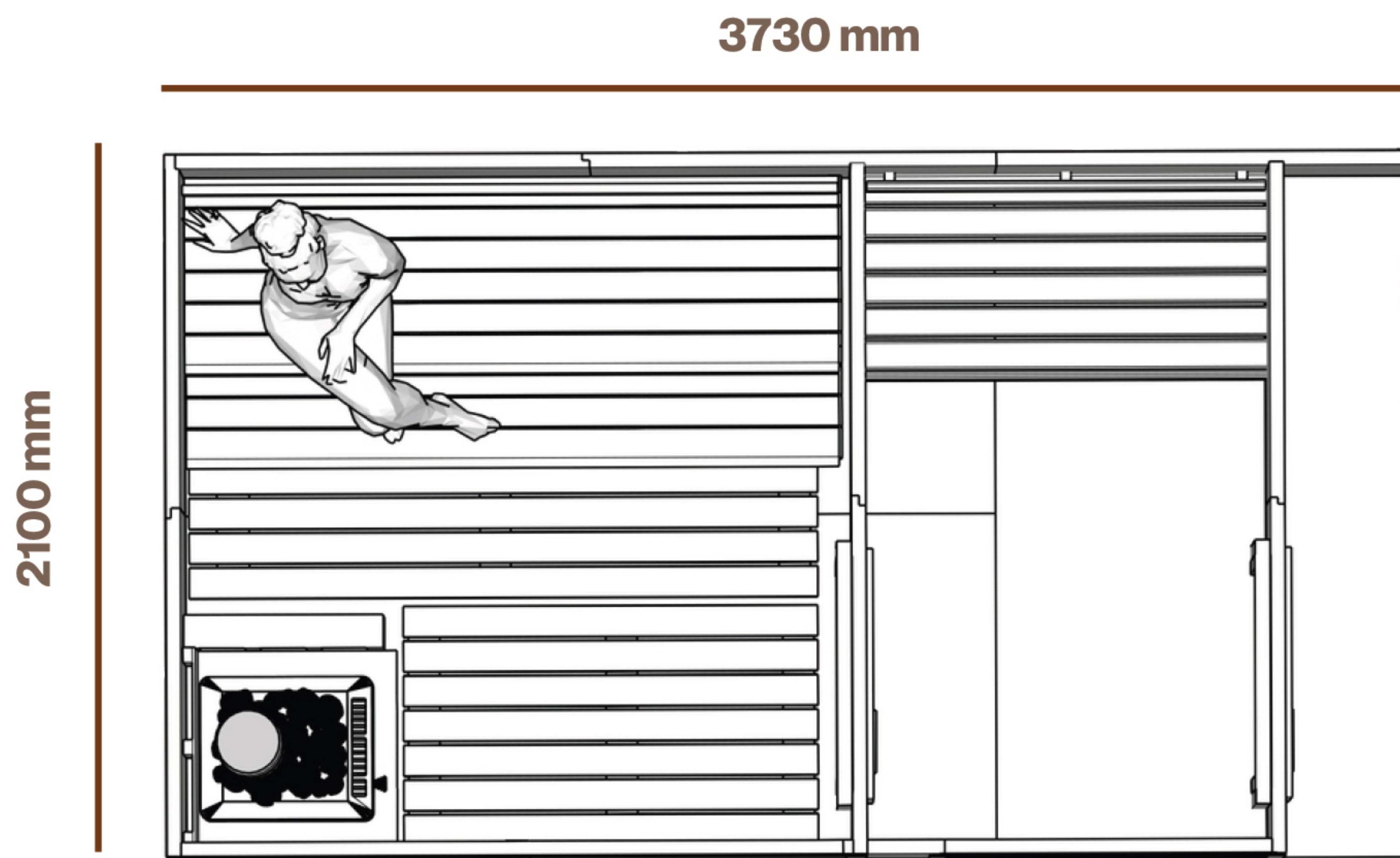








 2330 mm	 Natural wood
 Up to 4 - 6 people	 LED lighting
 Suitable for year-round use	 Wood-fired or electric heating



A+Bmini

A sauna and compact changing room combination designed for efficient and comfortable use. The smaller anteroom provides a practical transition space, allowing users to prepare before the sauna session while keeping the overall structure streamlined.



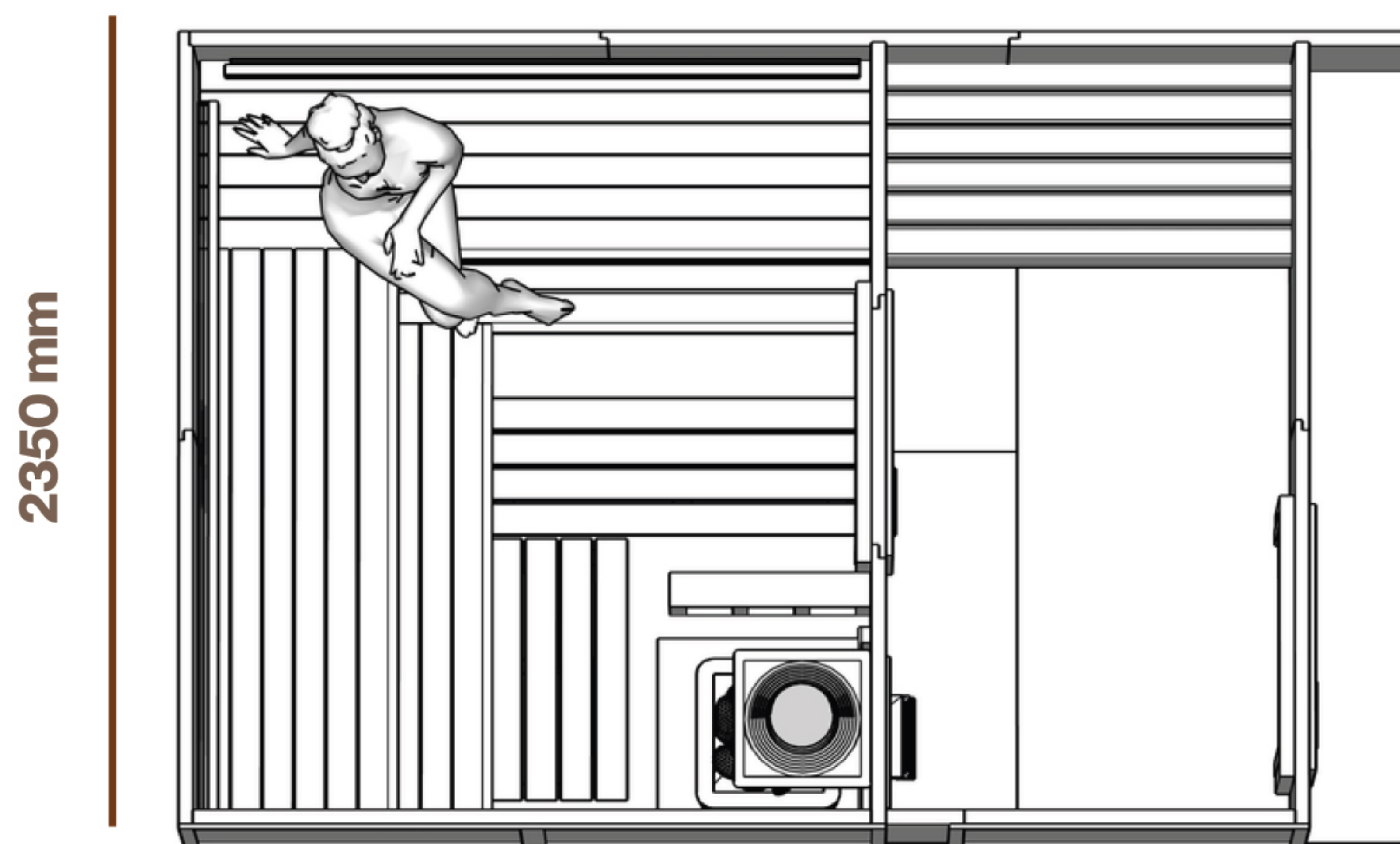
 2330 mm	 Natural wood
 Up to 4 people	 LED lighting
 Suitable for year-round use	 Wood-fired or electric heating



A+Bmini Wide

A sauna and changing room combination designed with increased interior space for enhanced comfort. The wider layout allows for corner-arranged benches inside the sauna, creating a more open and relaxed seating experience.

3670 mm



2330 mm



Natural wood



Up to 6 people



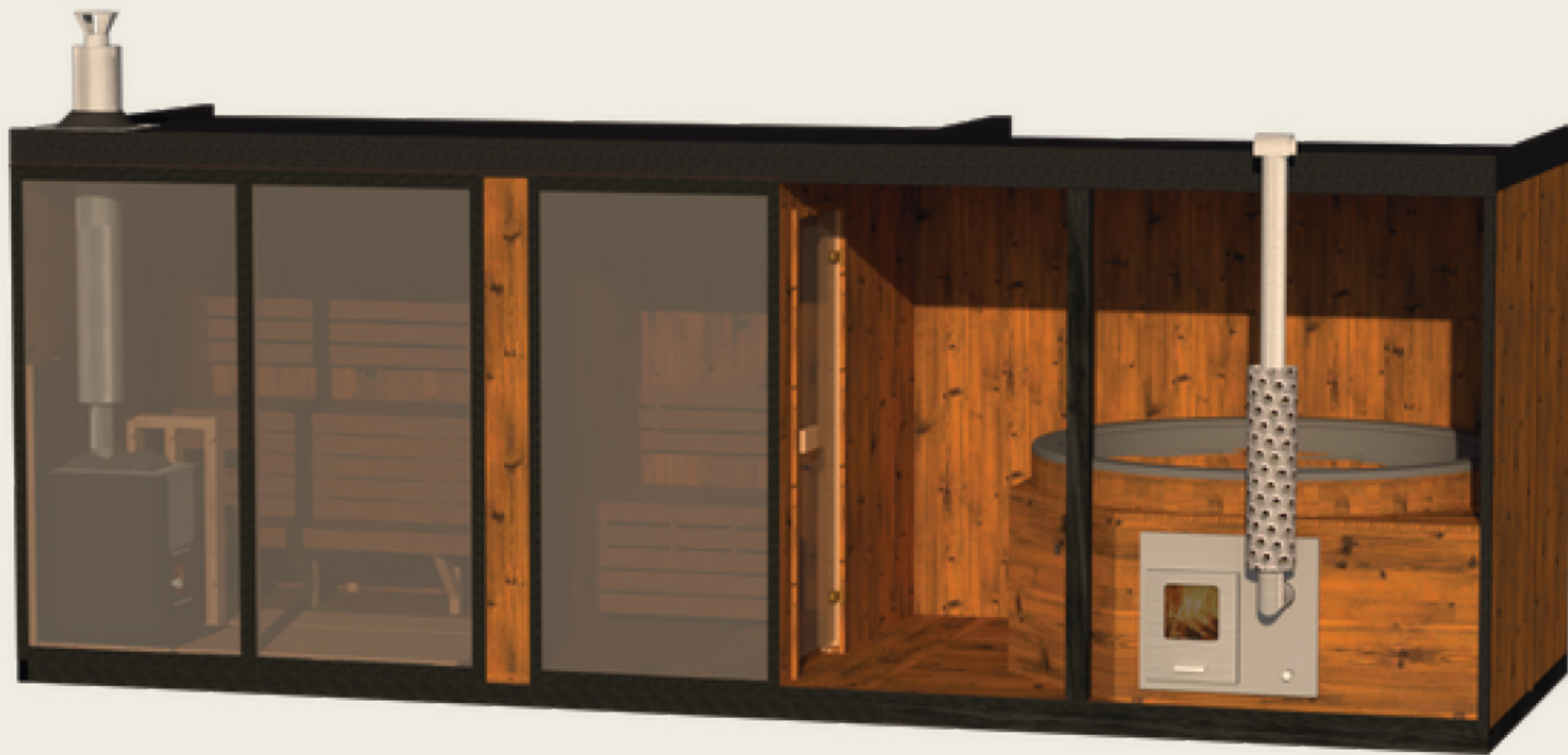
LED lighting



Suitable for year-round use

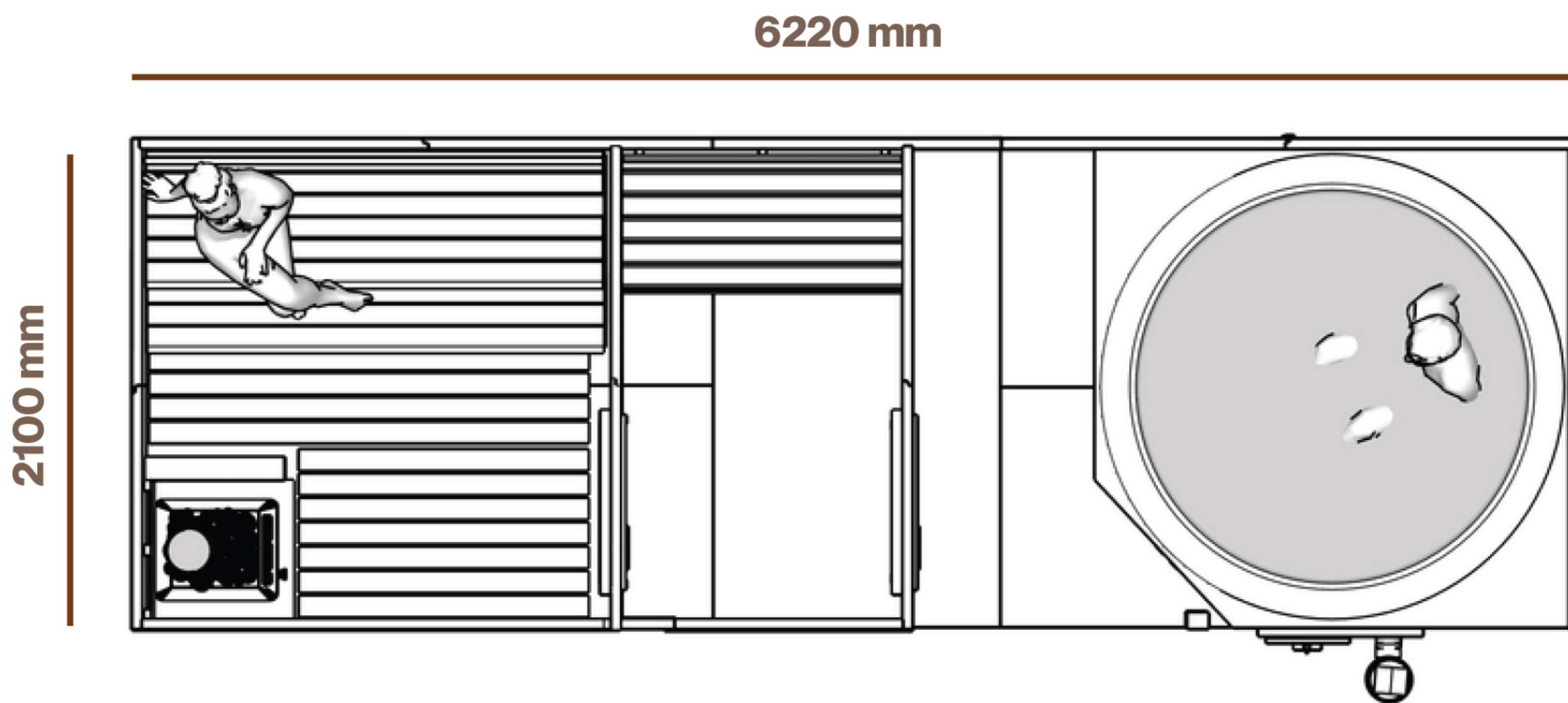


Wood-fired or electric heating



A+Bmini+C

A combined sauna, compact changing room, and hot tub solution designed for a complete yet efficient spa experience. The smaller anteroom provides a practical transition space, while the overall layout allows for smooth movement between sauna and hot tub zones



2330 mm

Up to 4 - 6 people

Suitable for year-round use

Natural wood

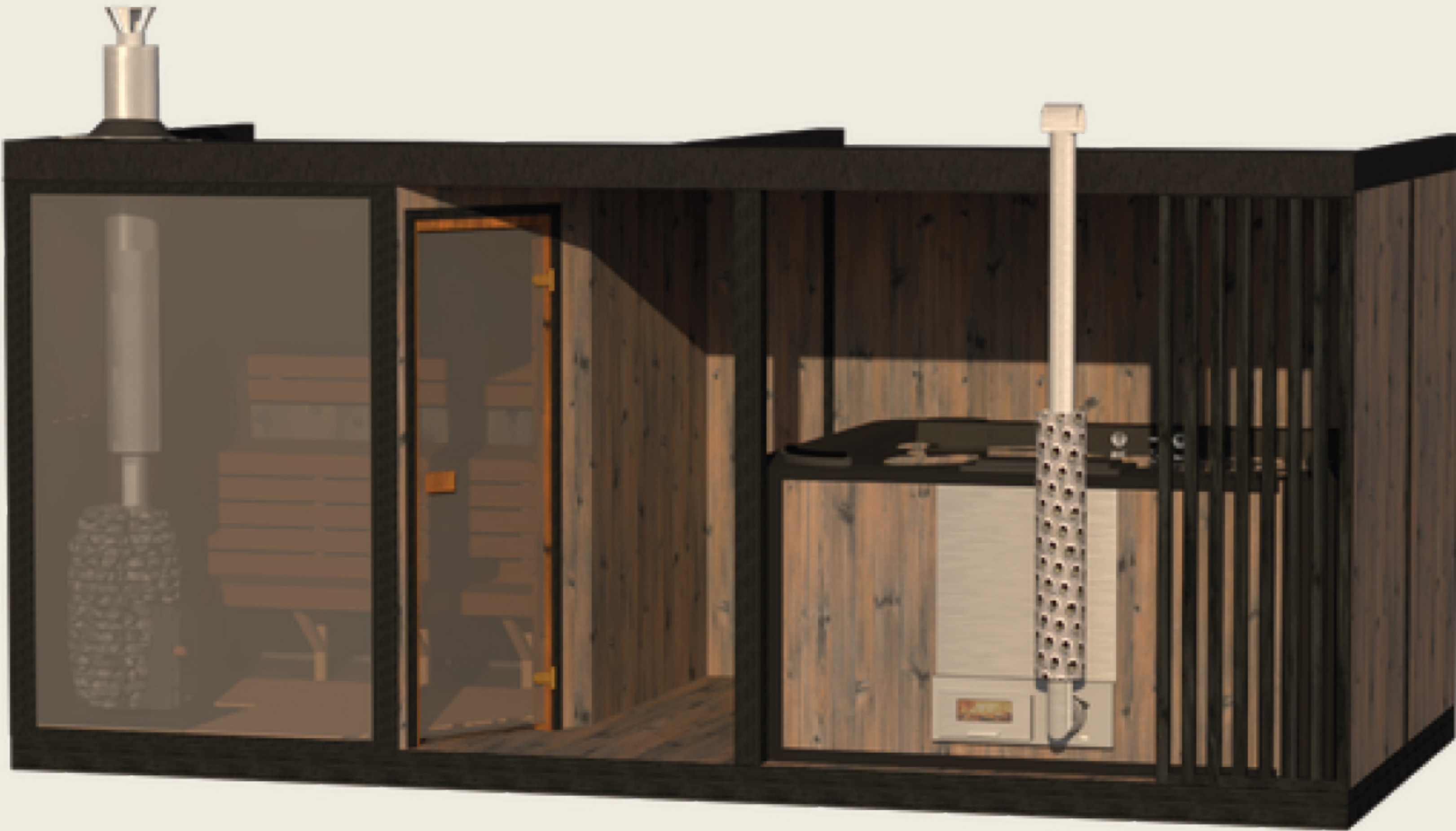
LED lighting

Wood-fired or electric heating

Acrylic hot tub insert

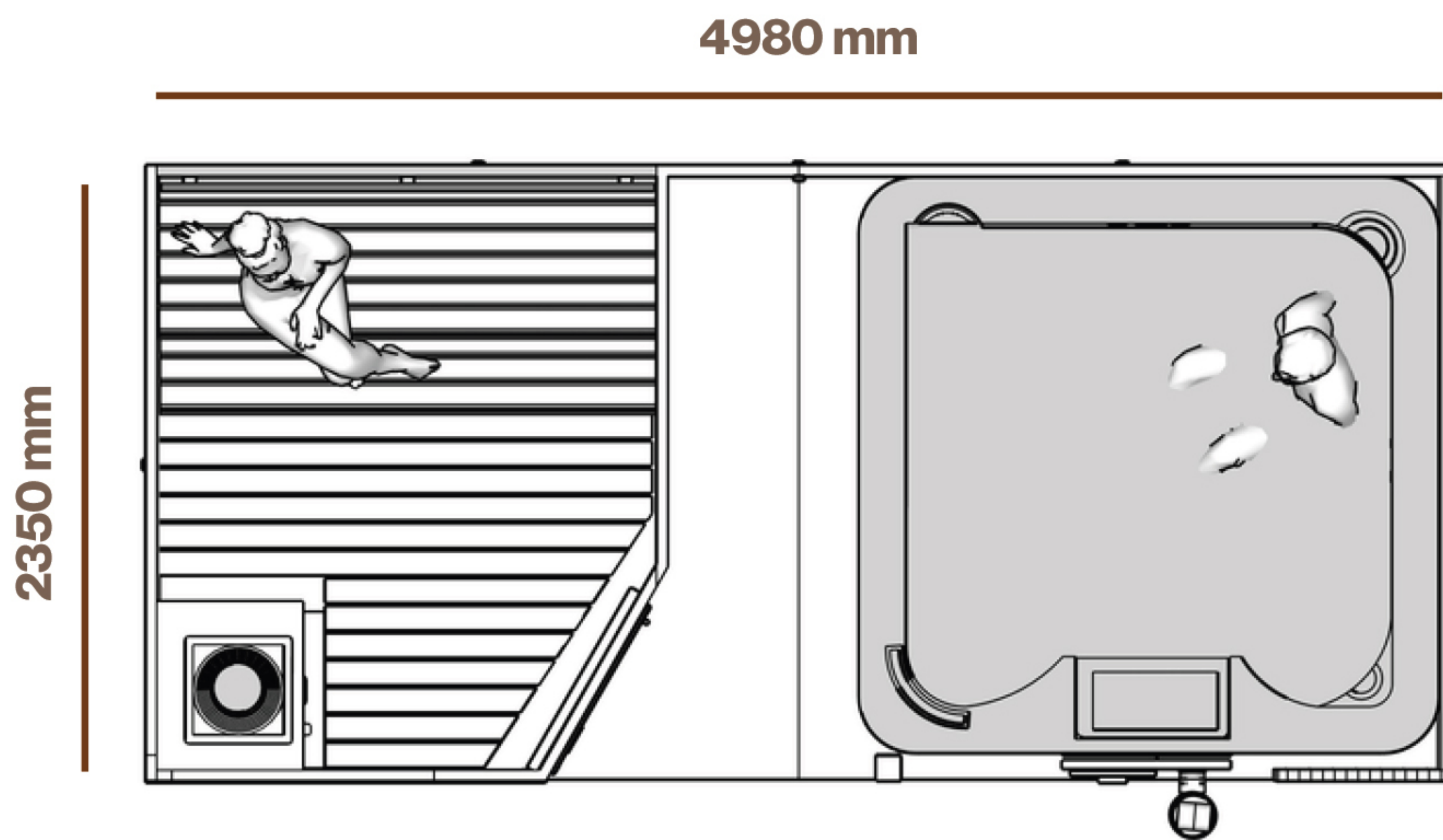
Air and hydro massage system

Leather hot tub cover included



A+C Premium

A sauna and hot tub combination with an angled entrance that enhances privacy and spatial flow. A subtle openwork wooden element defines the hot tub area while maintaining openness and a strong connection to natural materials.



2330 mm

Up to 4 - 6 people

Suitable for year-round use

Natural wood

LED lighting

Wood-fired or electric heating

Acrylic hot tub insert

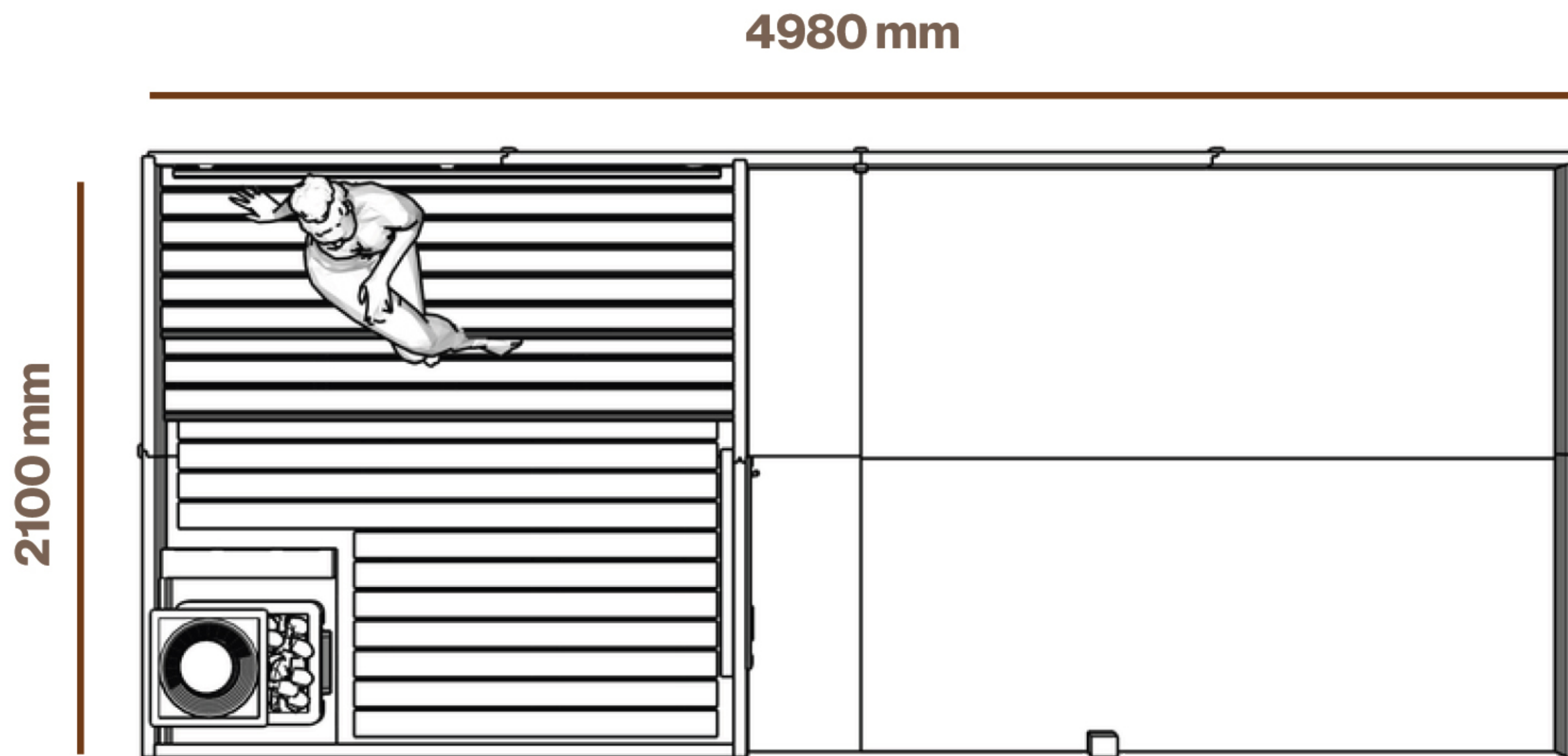
Air and hydro massage system

Leather hot tub cover included



A+E

A sauna combined with a compact open terrace, designed to extend the sauna experience beyond the interior space. The additional area can be adapted to individual needs, serving as a relaxation zone, seating area, or a space for custom furnishings.



2330 mm



Natural wood



Up to 4 - 6 people



LED lighting



Suitable for year-round use

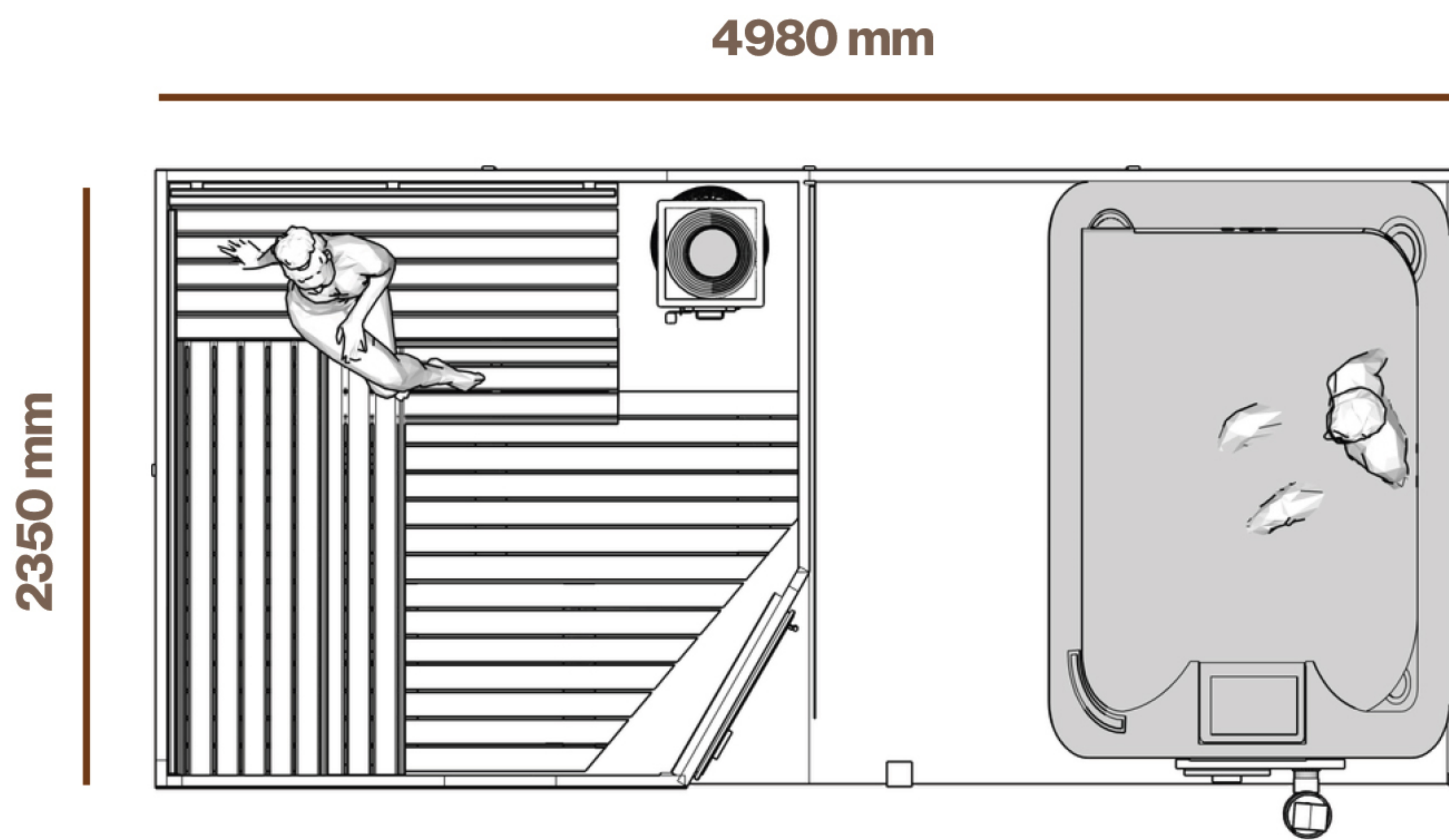


Wood-fired or electric heating



A+C Compact

A sauna and hot tub combination designed with an emphasis on a more spacious sauna interior and a compact, well-integrated hot tub zone. The generous sauna area allows for comfortable seating and a relaxed atmosphere, making it ideal for longer sauna sessions.



2330 mm

Up to 6 persons

Suitable for year-round use

Natural wood

LED lighting

Wood-fired or electric heating

Acrylic hot tub insert

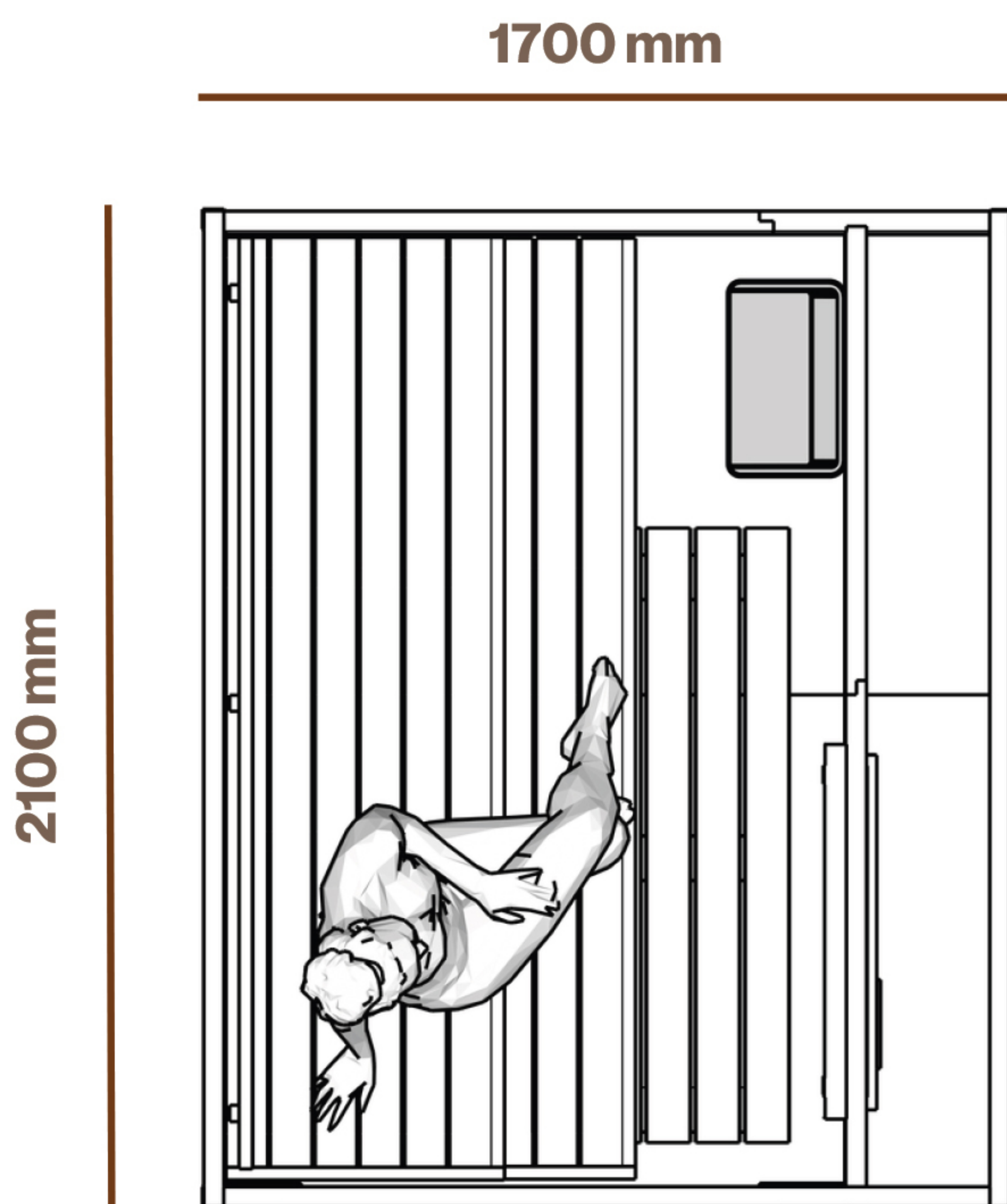
Air and hydro massage system

Leather hot tub cover included



Amini

A compact sauna designed for efficient use in limited outdoor spaces. Its minimal footprint makes it an ideal choice for small yards, terraces, or urban settings without compromising the core sauna experience.

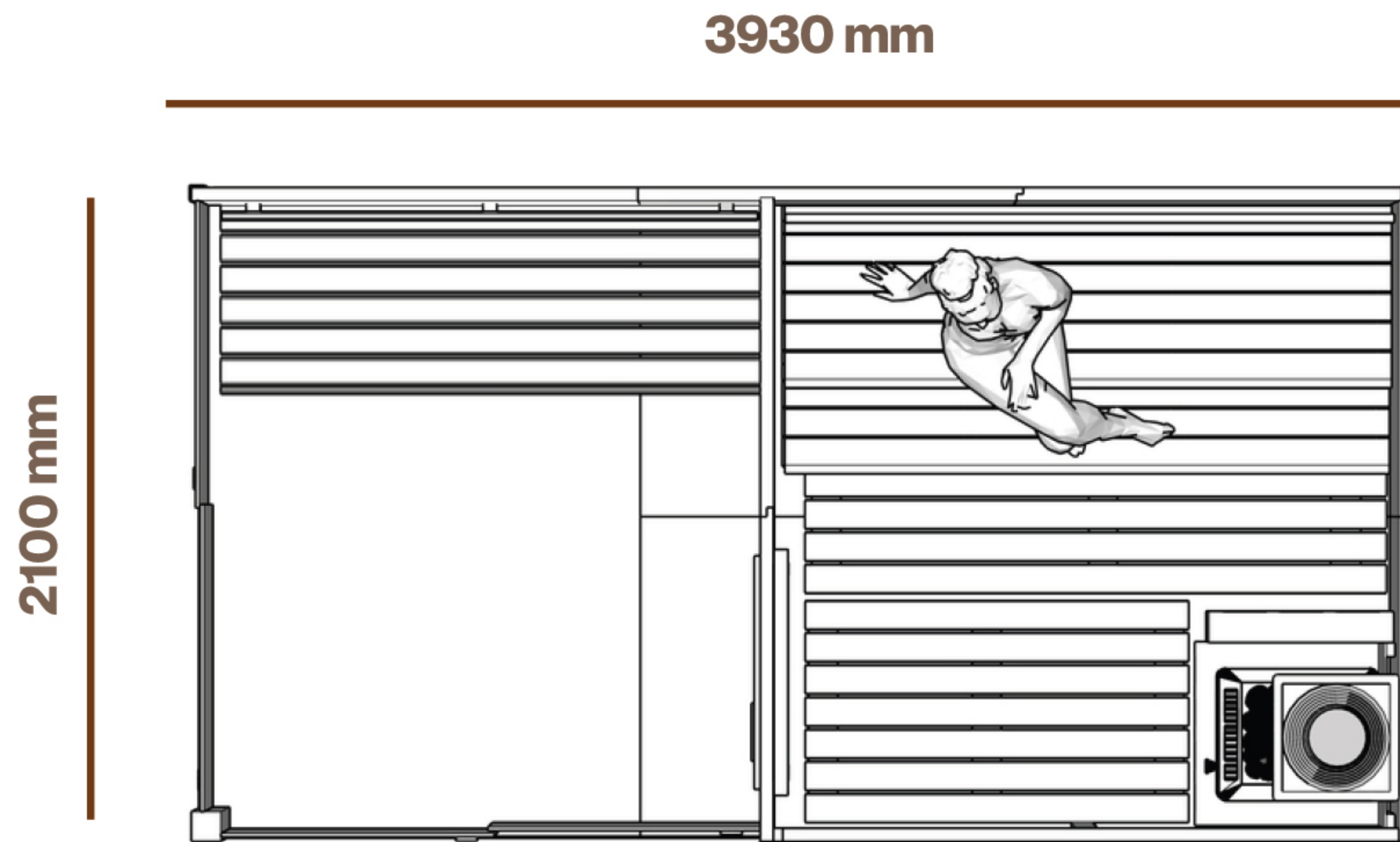








-  **2330 mm**
-  **Up to 4 people**
-  **Suitable for year-round use**
-  **Natural wood**
-  **LED lighting**
-  **Wood-fired or electric heating**

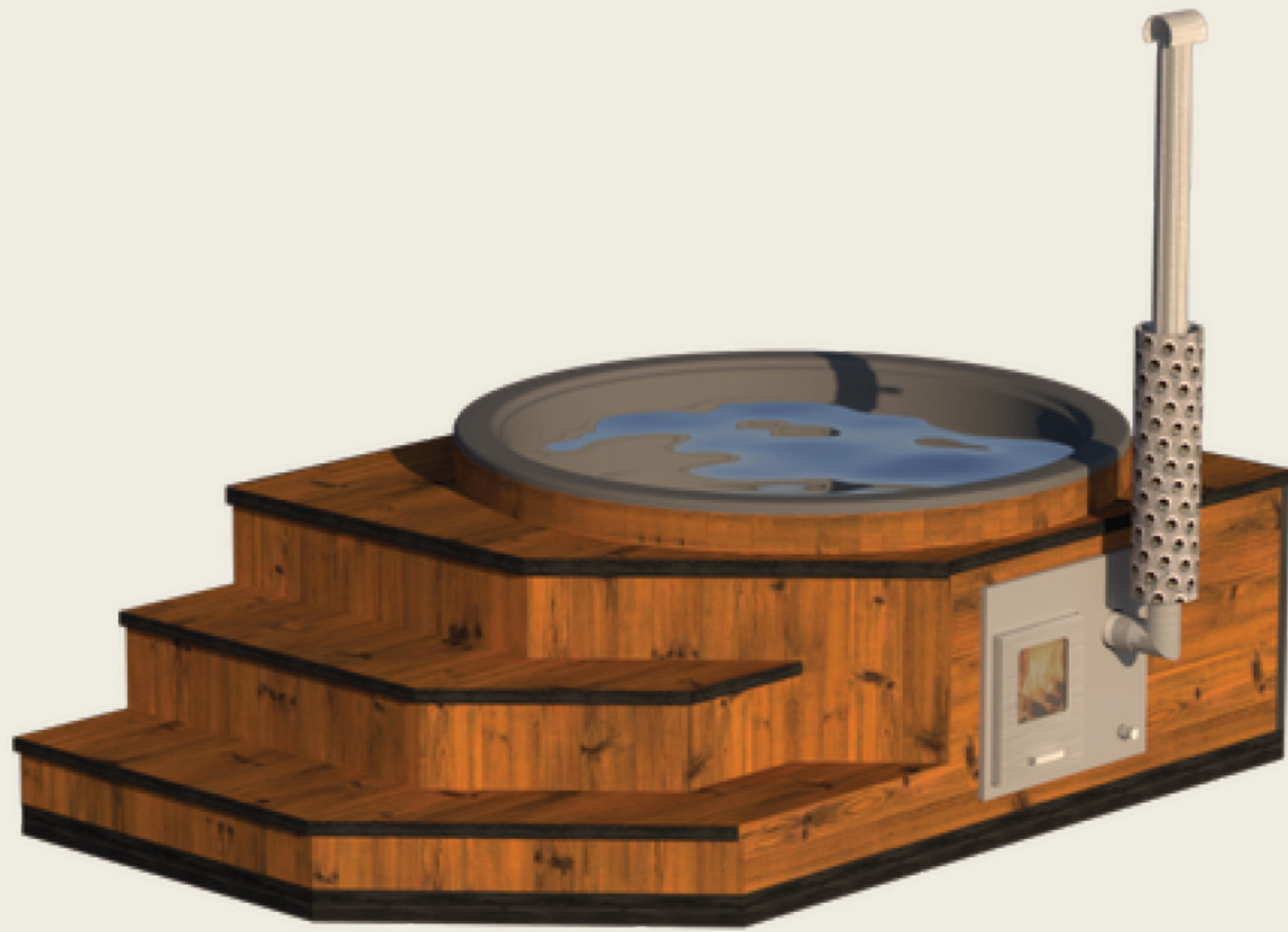


Bmini+A with Sliding Doors

A compact sauna and small changing room combination designed for efficient use of space without sacrificing comfort. The sliding glass doors visually open the interior, allowing light to flow through the structure while maintaining a clean and modern appearance.

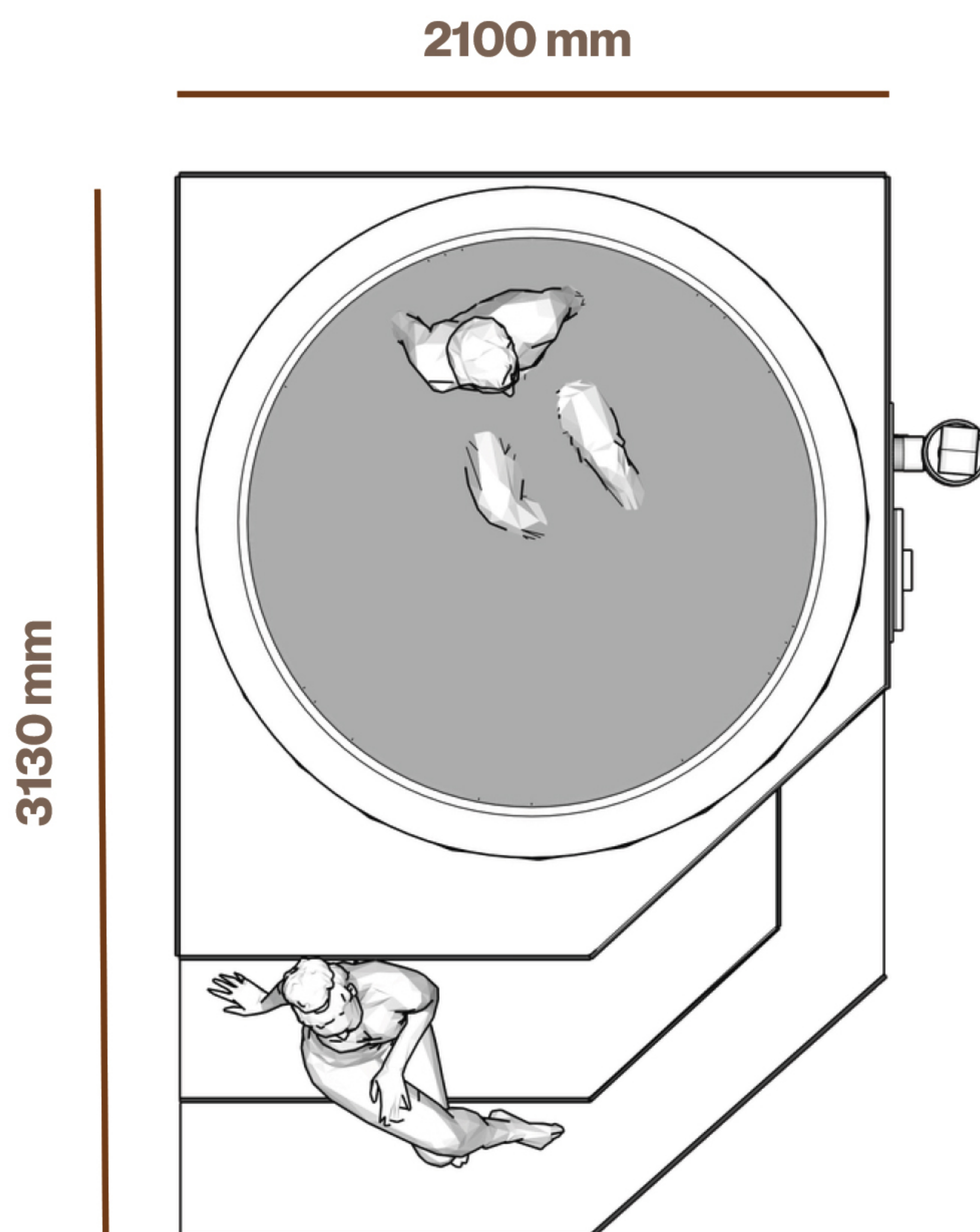


 2330 mm	 Natural wood
 Up to 4 people	 LED lighting
 Suitable for year-round use	 Wood-fired or electric heating



Ainarsa Hot Tub

Ainarsa hot tub is designed for relaxed and comfortable bathing under the open sky, offering a true outdoor wellness experience in any season. Its compact, well-proportioned form creates an inviting space for soaking, while integrated steps ensure easy and safe access.



-  880 mm
-  Up to 6 people
-  Suitable for year-round use
-  Natural wood
-  LED lighting
-  Wood-fired or electric heating
-  Acrylic hot tub insert
-  Air and hydro massage system
-  Leather hot tub cover included

Modular A+B+C Custom Collection

Each model in this collection began with a specific client request.

Based on the ABC modular system, these designs were adapted to unique site conditions, spatial needs, and personal preferences — from extended terraces and additional changing zones to corner layouts and expanded glazing.



**1. Standart
Model**



**2. Client
Consultation**



**3. Adjustments
& Refinements**



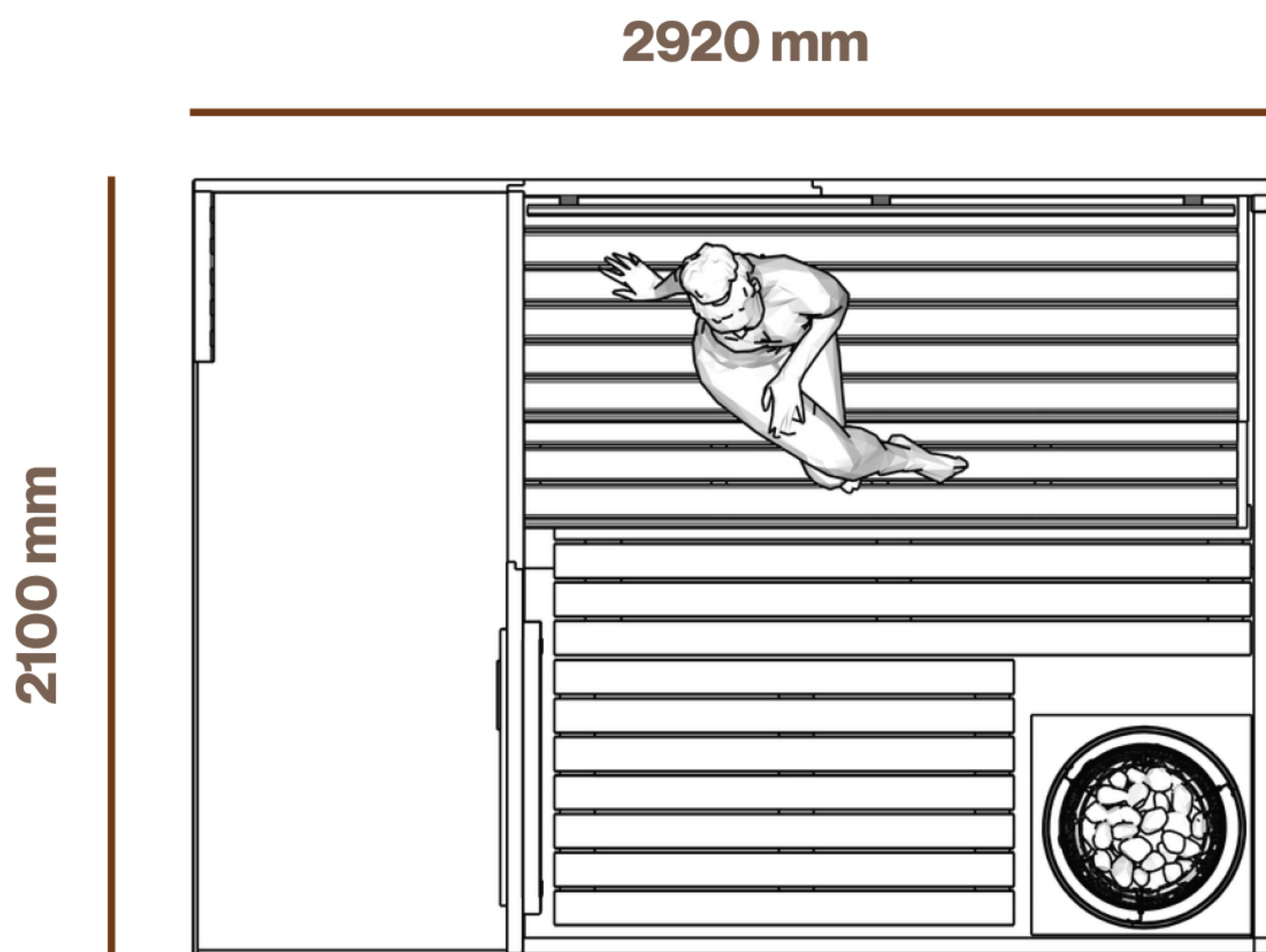
**4. Customized
Model**

This collection reflects the flexibility and the ability to transform a modular base into a fully personalised outdoor wellness solution.



A with Glass Corner

Sauna featuring a panoramic corner glass element and an extended terrace. The layout brings in more light and openness, while the additional outdoor space offers flexibility for relaxation and custom use.



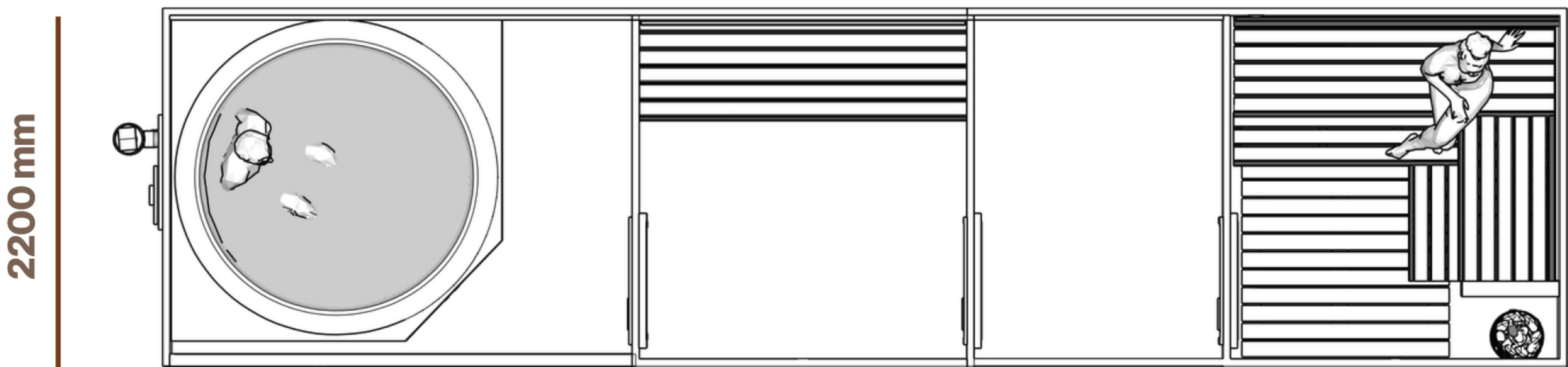
-  2330 mm
-  Up to 4 people
-  Suitable for year-round use
-  Natural wood
-  LED lighting
-  Wood-fired or electric heating



C+B+Bmini+A

This extended module combines a sauna, compact changing area, and hot tub zone into one seamless wellness space. Sliding panoramic glass doors bring in light and openness, creating a refined outdoor spa experience with clear zoning and comfortable flow.

8640 mm



2330 mm

Up to 4 - 6 people

Suitable for year-round use

Natural wood

LED lighting

Wood-fired or electric heating

Acrylic hot tub insert

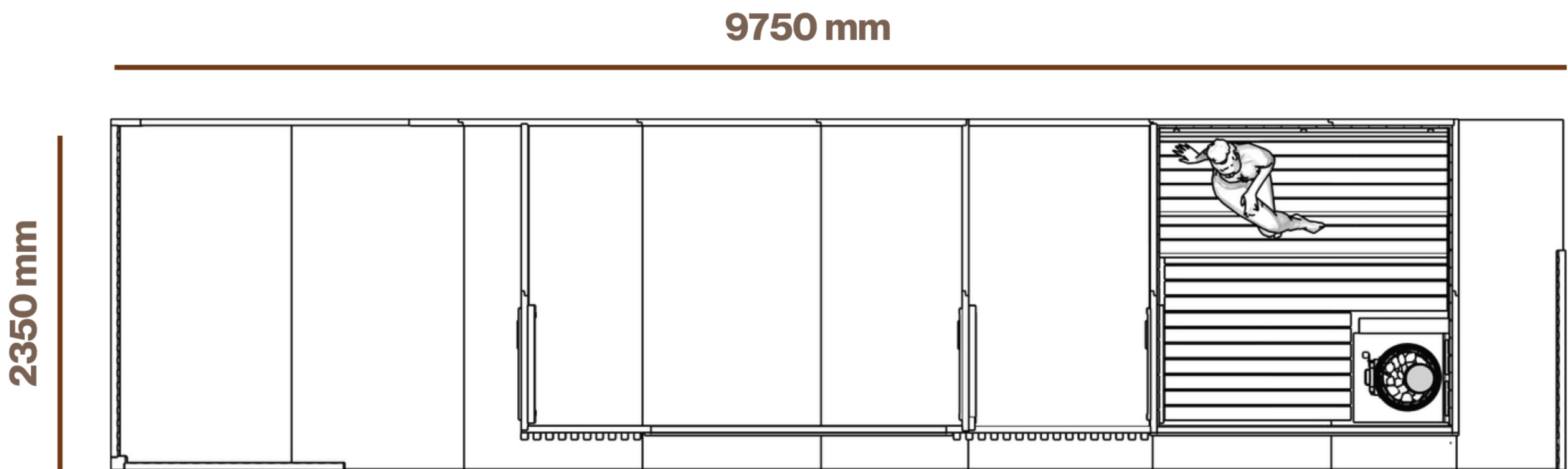
Air and hydro massage system

Leather hot tub cover included



E+Bmini+B+A

This extended model combines an open terrace, changing areas, and a sauna into one well-structured layout. The additional outdoor space enhances comfort and usability, creating a smooth transition from open-air relaxation to a warm sauna experience.



2330 mm

Natural wood

Acrylic hot tub insert

Up to 4 - 6 people

LED lighting

Air and hydro massage system

Suitable for year-round use

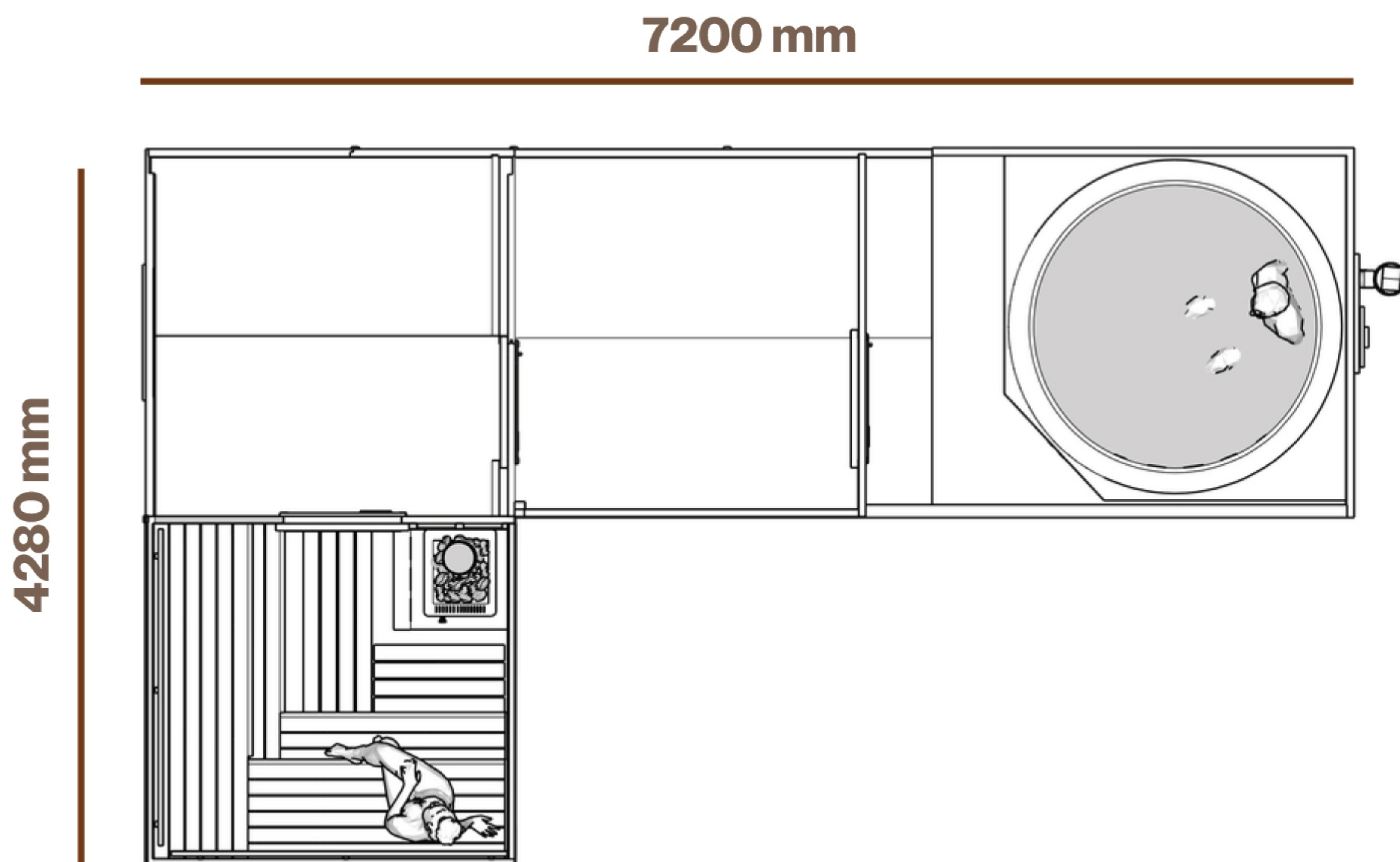
Wood-fired or electric heating

Leather hot tub cover included



A+B+B+C Corner

L-shaped model combines a sauna, extended changing areas, and a hot tub zone into one seamless wellness structure. Sliding glass doors add light and openness, while the corner layout creates a smooth flow between zones and a comfortable level of privacy.



2330 mm

Up to 4 - 6 people

Suitable for year-round use

Natural wood

LED lighting

Wood-fired or electric heating

Acrylic hot tub insert

Air and hydro massage system

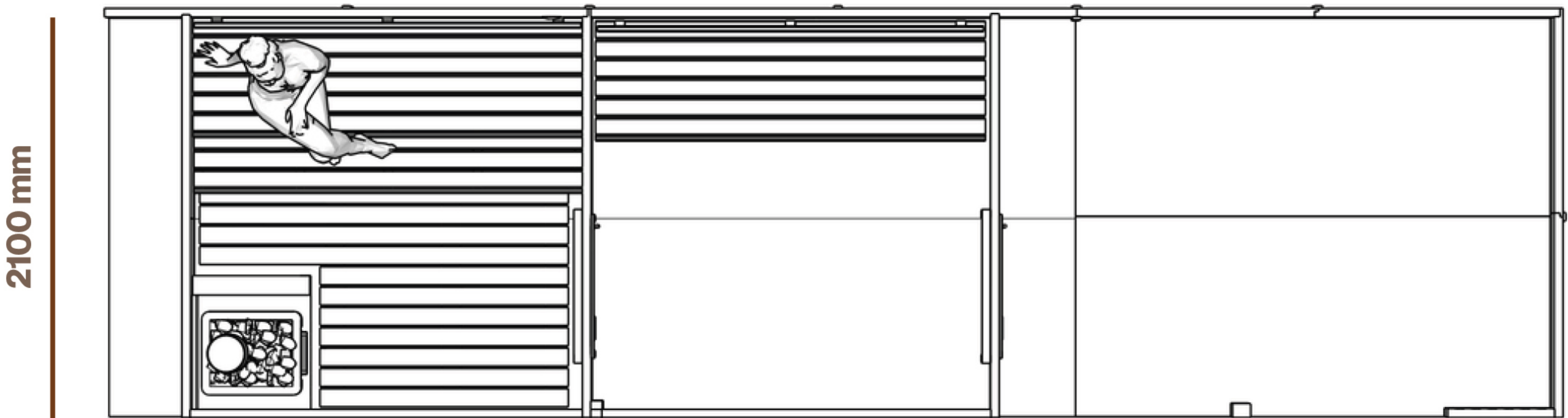
Leather hot tub cover included








A+B+E

This model combines a sauna, changing area, and an open terrace into one balanced structure. The outdoor terrace extends the wellness experience, offering a flexible space for relaxation, seating, or custom use before and after the sauna session.

7470 mm

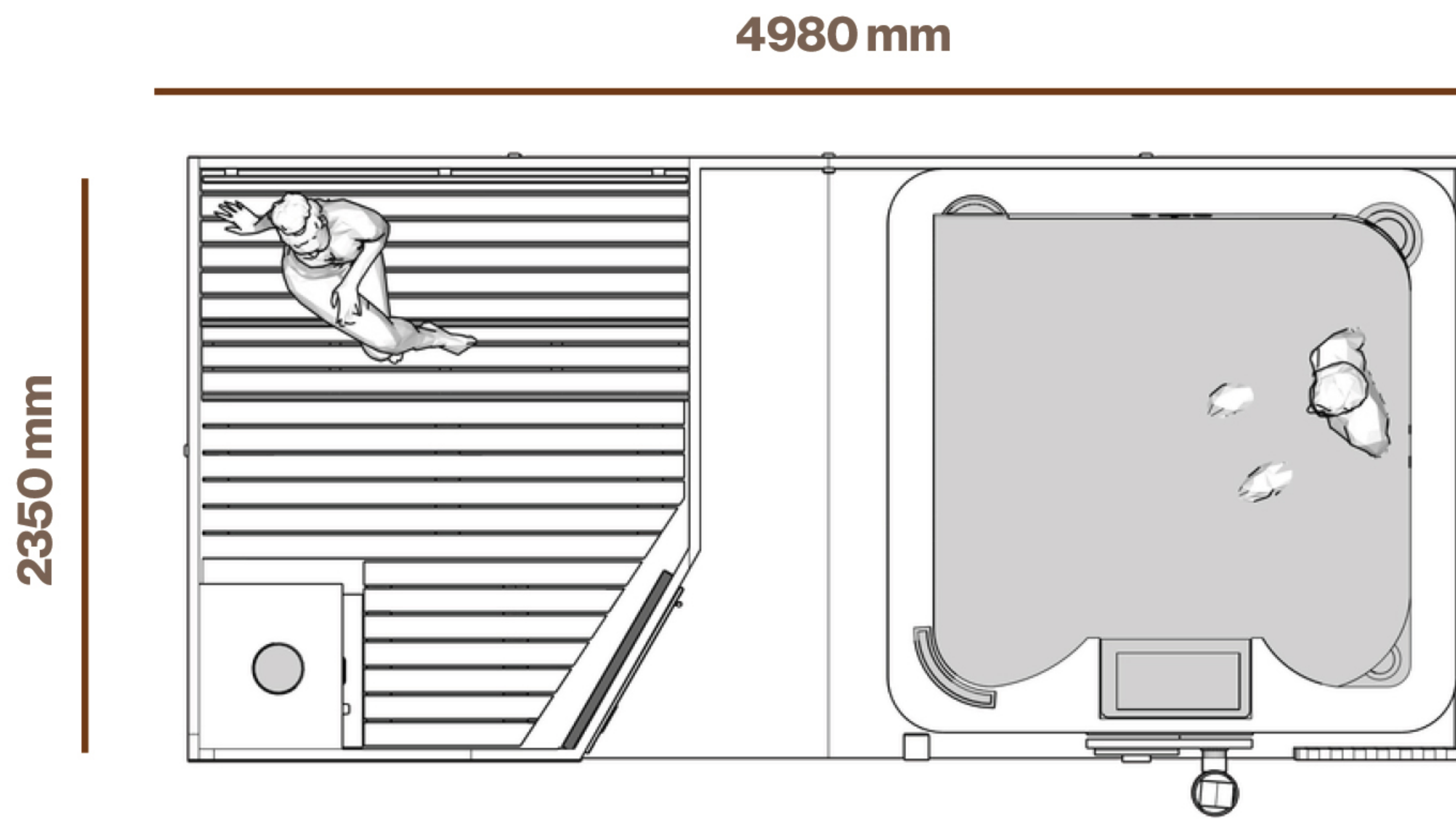


 2330 mm	 Natural wood
 Up to 4 - 6 people	 LED lighting
 Suitable for year-round use	 Wood-fired or electric heating



A+C Premium

This model combines a sauna with an integrated larger square hot tub, creating a refined outdoor wellness space. The angled entrance improves privacy and spatial flow, while the hot tub zone is defined with a slatted design element for a lighter, more open feel.



2330 mm

Up to 4 - 6 people

Suitable for year-round use

Natural wood

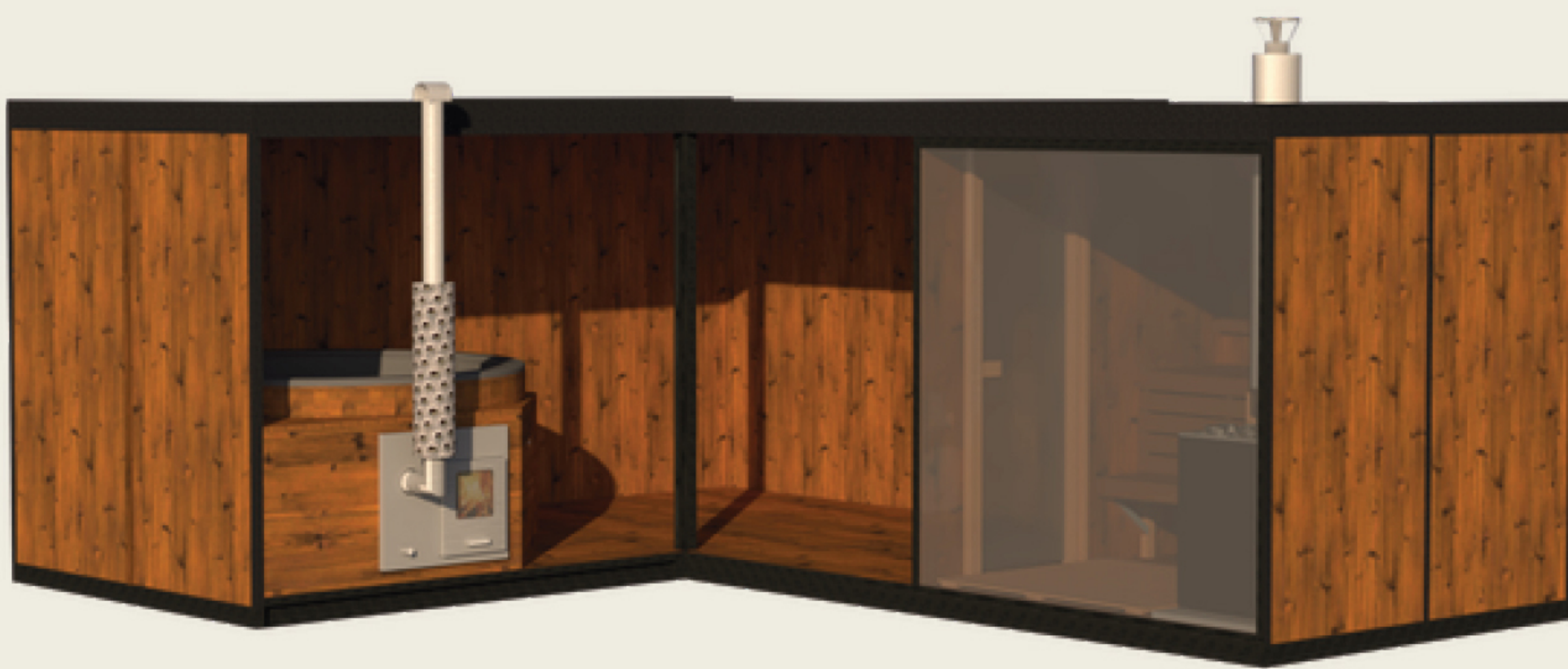
LED lighting

Wood-fired or electric heating

Acrylic hot tub insert

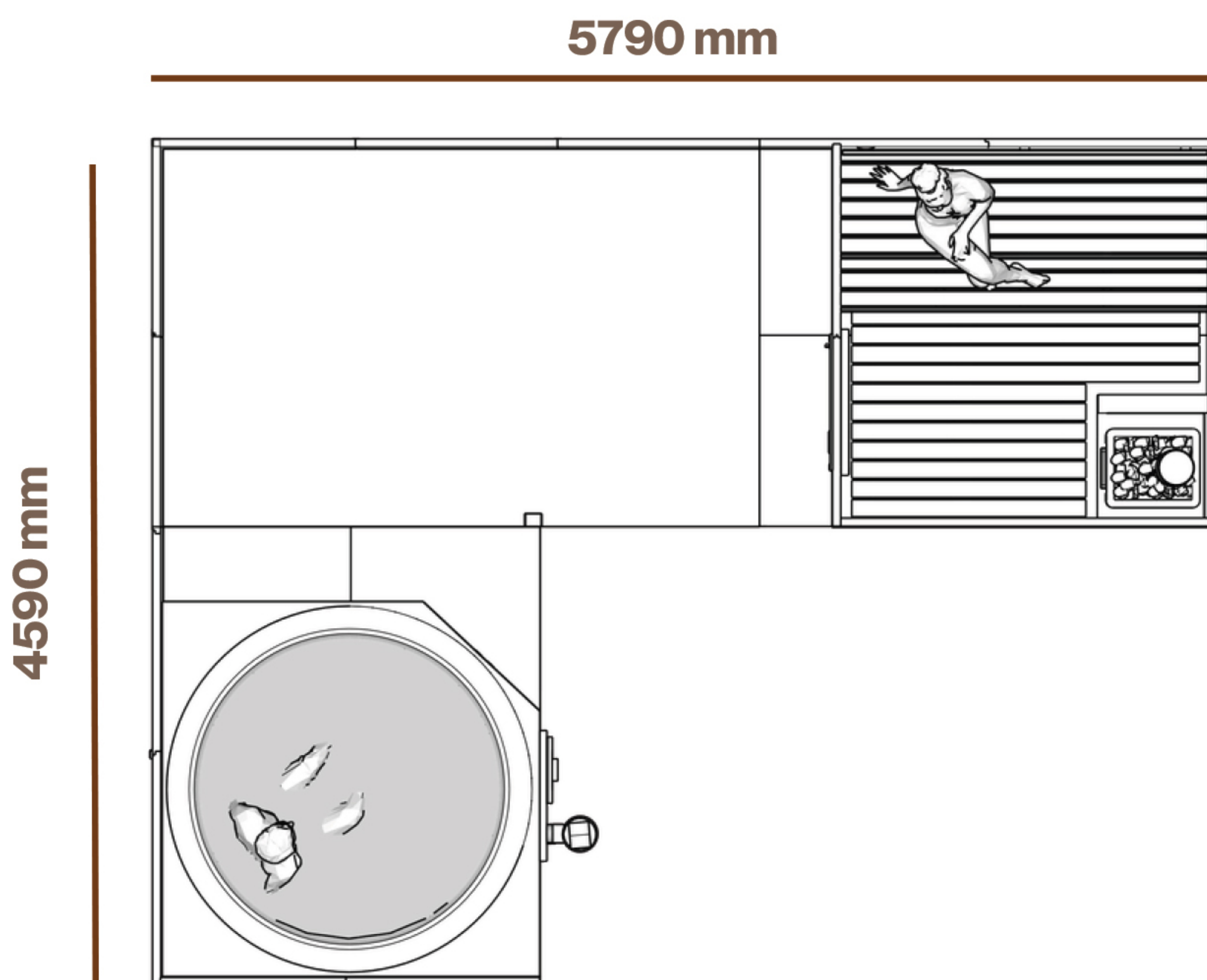
Air and hydro massage system

Leather hot tub cover included



A+C with Corner Terrace

L-shaped sauna and hot tub model features a corner terrace that creates a natural transition space between zones. The layout enhances privacy and comfort, offering a balanced outdoor wellness experience with a clear separation between sauna heat and open-air soaking.

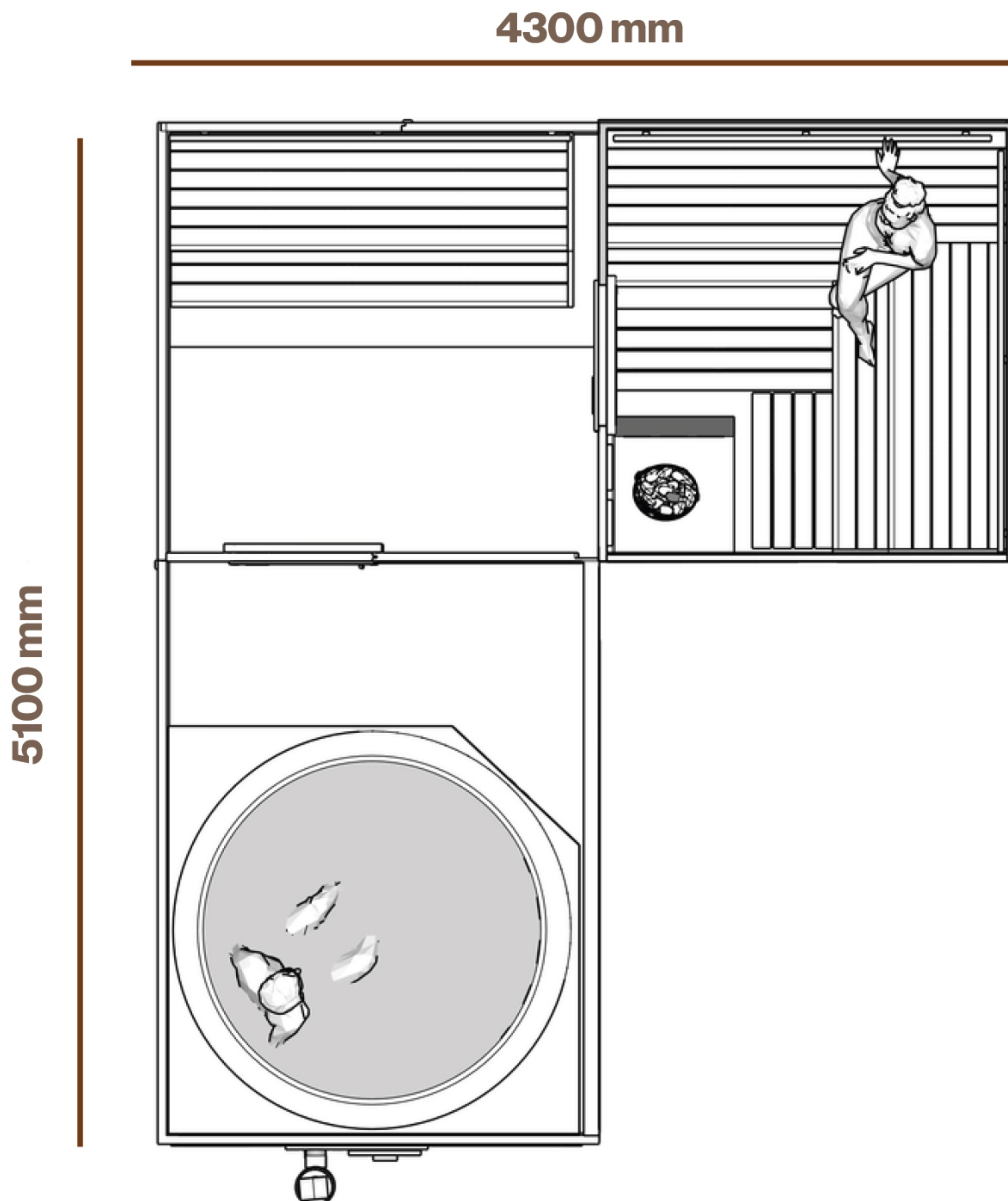


-  2330 mm
-  Up to 4 - 6 people
-  Suitable for year-round use
-  Natural wood
-  LED lighting
-  Wood-fired or electric heating
-  Acrylic hot tub insert
-  Air and hydro massage system
-  Leather hot tub cover included



C+B+A Corner

L-shaped model combines a hot tub, changing area, and sauna into one complete wellness structure. Additional windows and sliding glass doors bring in more natural light and openness, while the corner layout creates a comfortable flow and enhanced privacy between zones.



-  2330 mm
-  Up to 4 - 6 people
-  Suitable for year-round use
-  Natural wood
-  LED lighting
-  Wood-fired or electric heating
-  Acrylic hot tub insert
-  Air and hydro massage system
-  Leather hot tub cover included

Sculptural Collection

Defined by distinctive silhouettes, this collection explores rounded, cubic, and classic barrel forms.

Each model balances geometry, natural wood, and efficient heat performance to create a refined outdoor wellness experience.



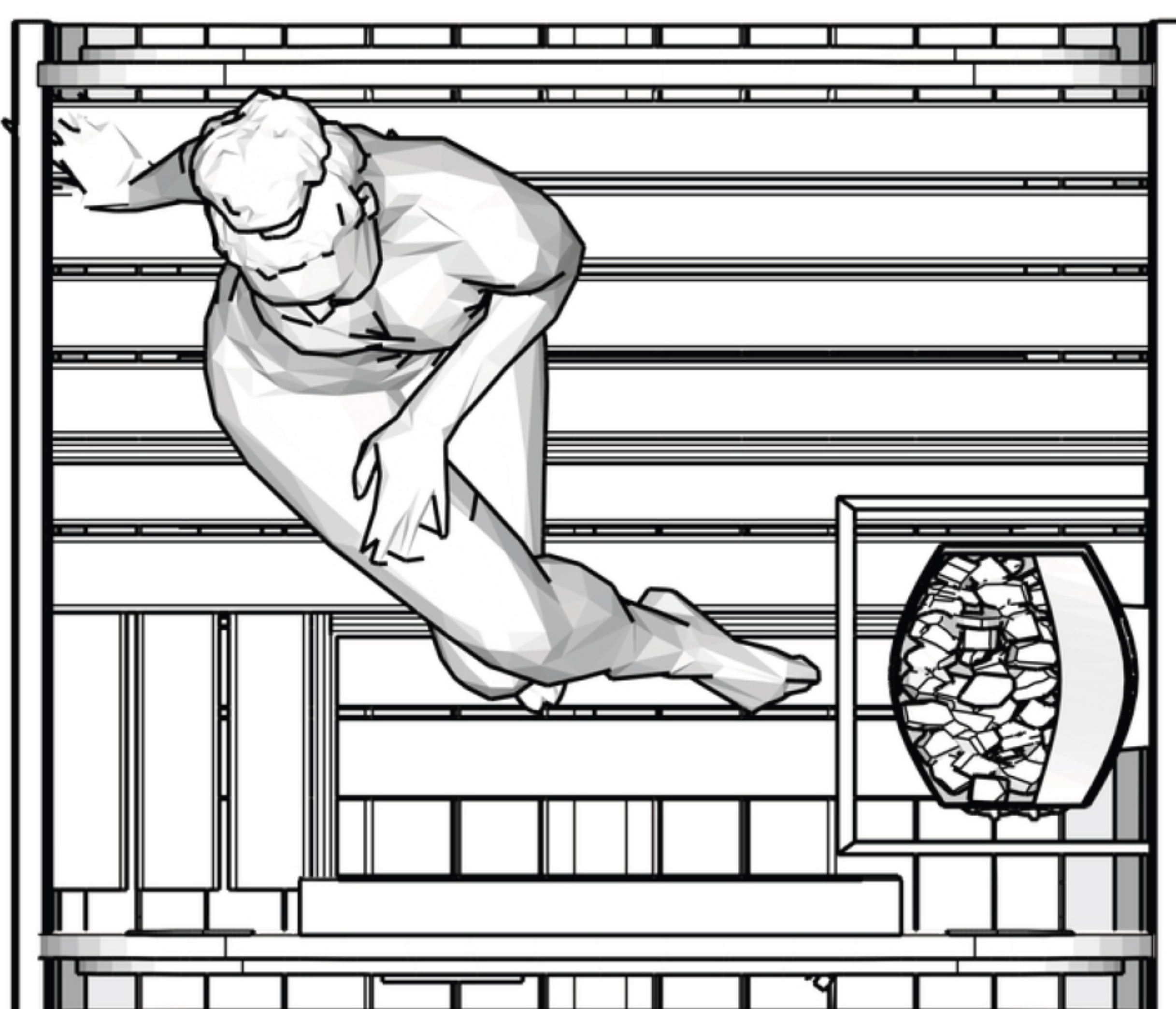


Duaris

Designed for two, this compact sauna combines a distinctive rounded silhouette with a warm, intimate interior. Its space-efficient layout makes it a perfect solution for private outdoor relaxation.

1350 mm

1150 mm

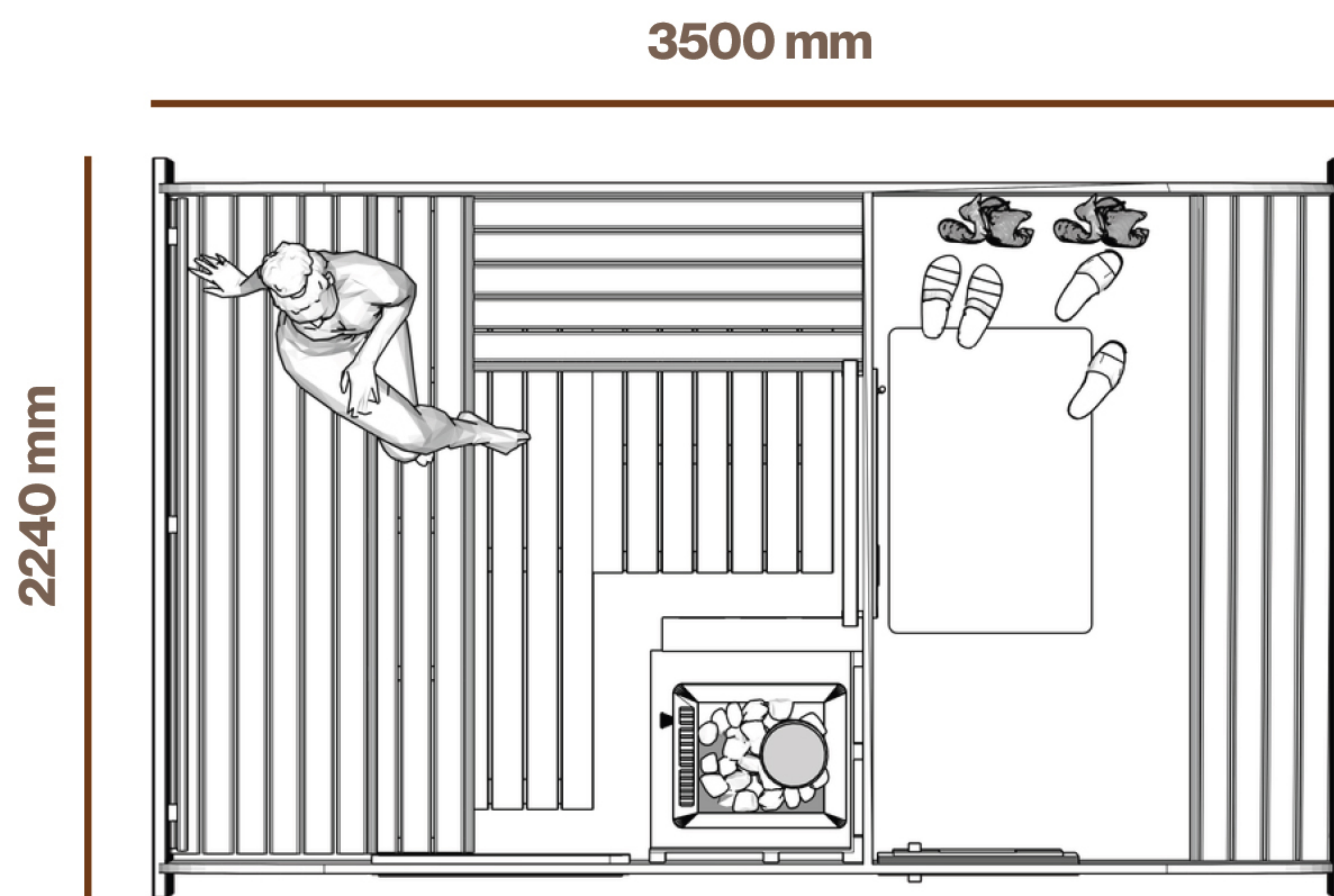








-  2250 mm
-  Up to 2 persons
-  Suitable for year-round use
-  Natural wood
-  LED lighting
-  Wood-fired or electric heating

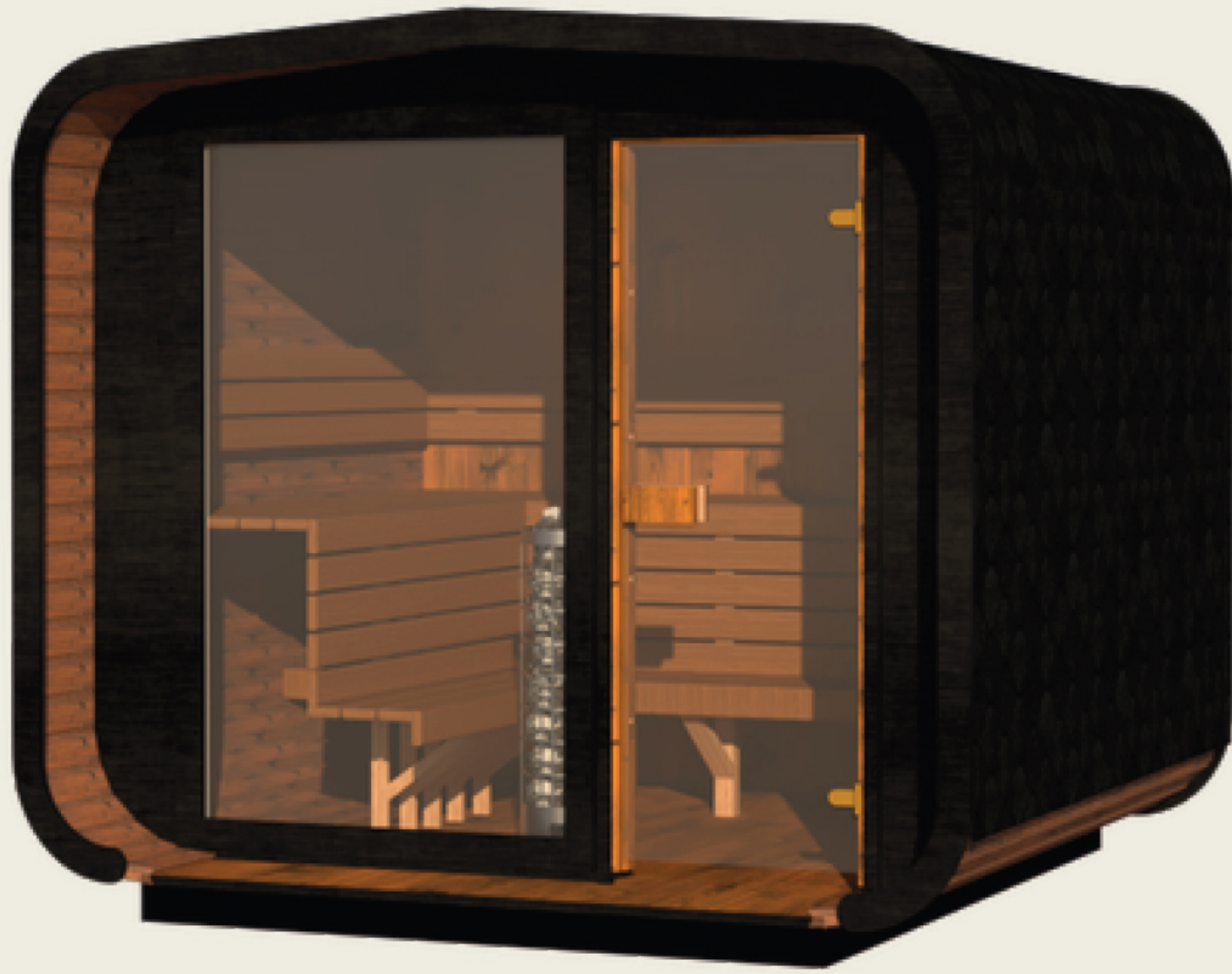


PUNKHEAT

Developed in collaboration with the *HockeyPunks* ice hockey club, this sauna and changing room model is designed for effective recovery and everyday use. Its practical layout and durable construction make it ideal for both private and team environments.



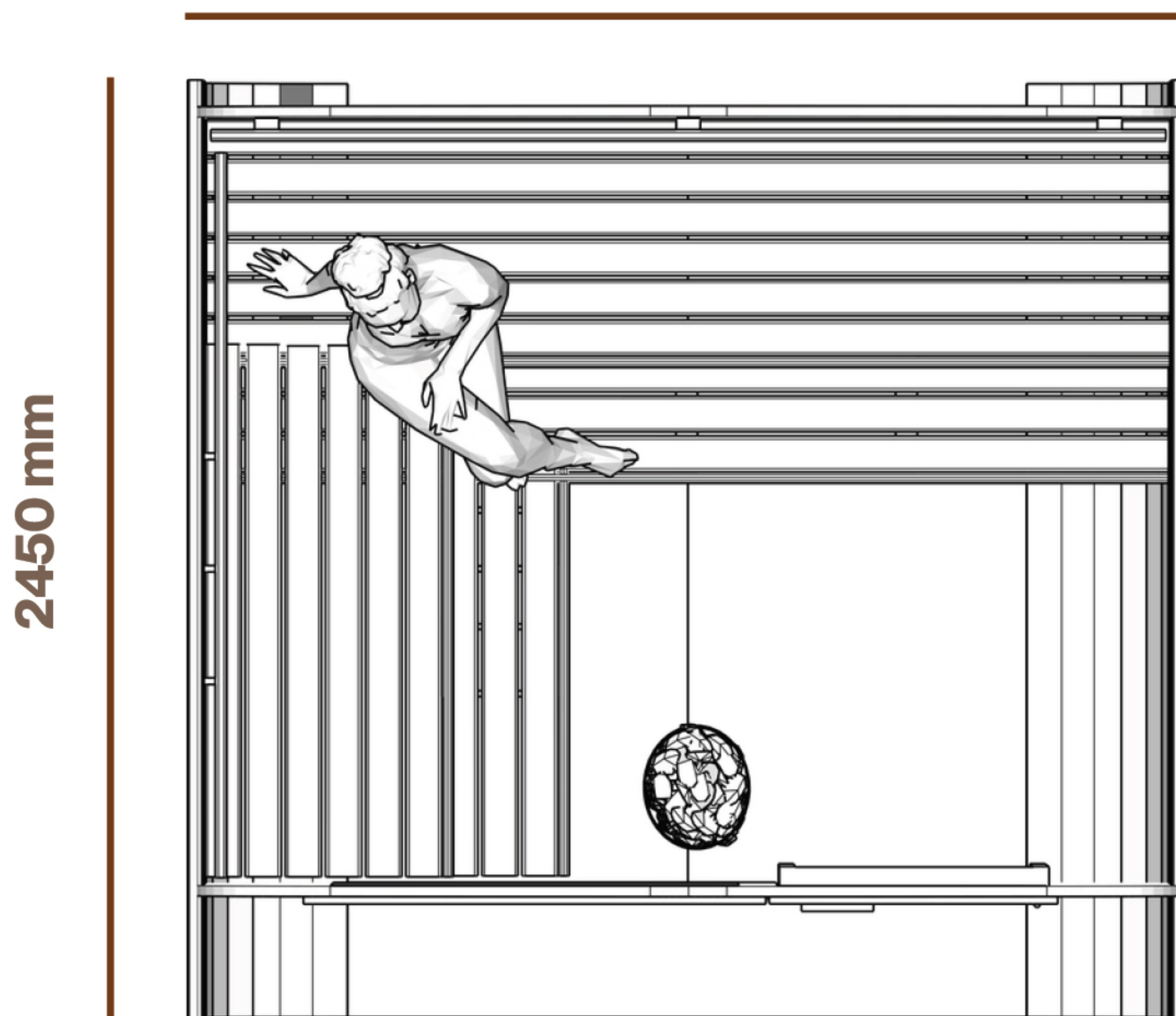
 2330 mm	 Natural wood
 Up to 4 - 6 people	 LED lighting
 Suitable for year-round use	 Wood-fired or electric heating



Square

This standalone sauna features a softened square silhouette with a large front glass panel that brings light and openness into the interior. The clean, modern form creates a balanced architectural presence, while natural materials ensure a warm and comfortable sauna experience.

2600 mm



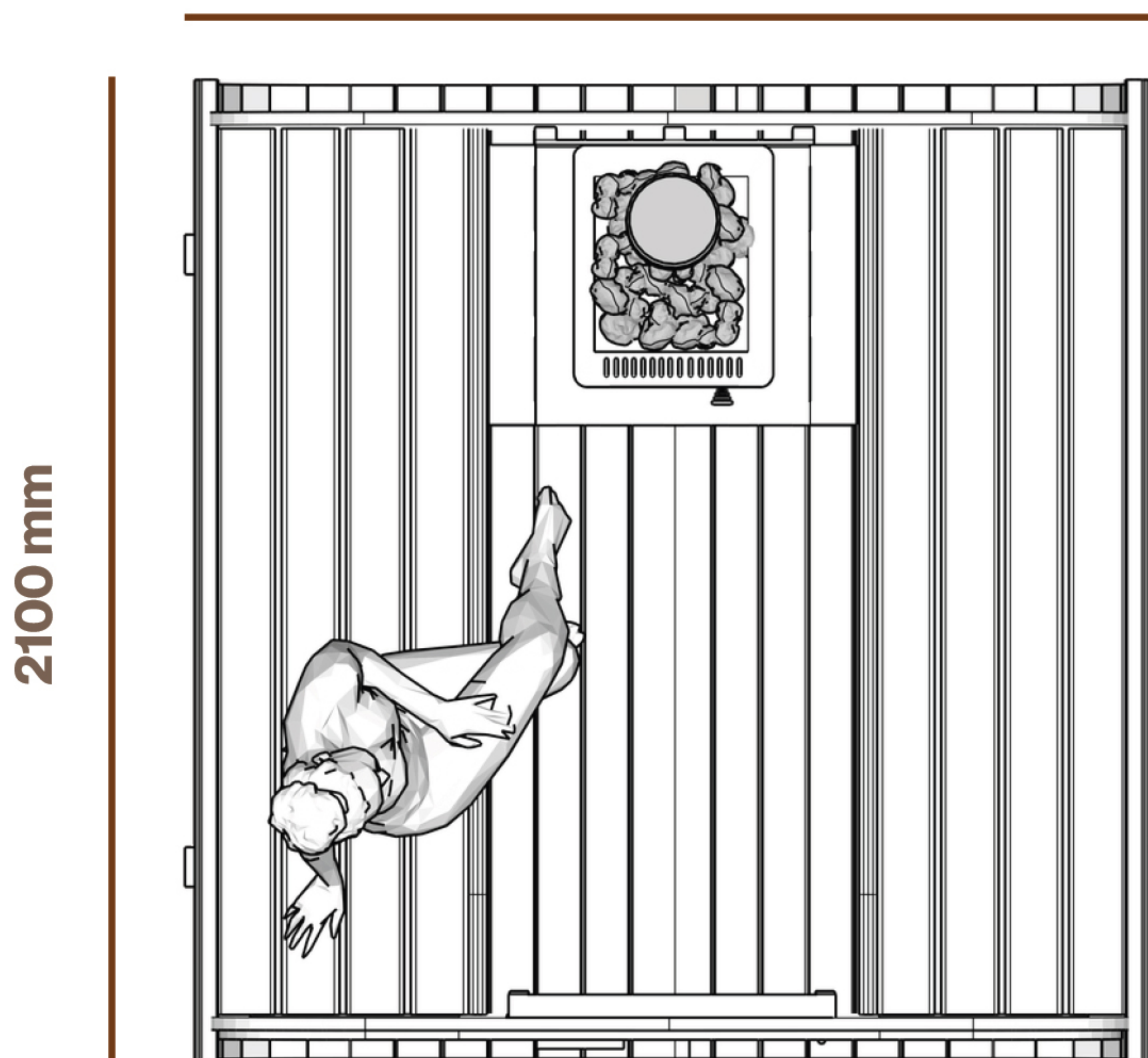
-  2310 mm
-  Up to 4 - 6 people
-  Suitable for year-round use
-  Natural wood
-  LED lighting
-  Wood-fired or electric heating



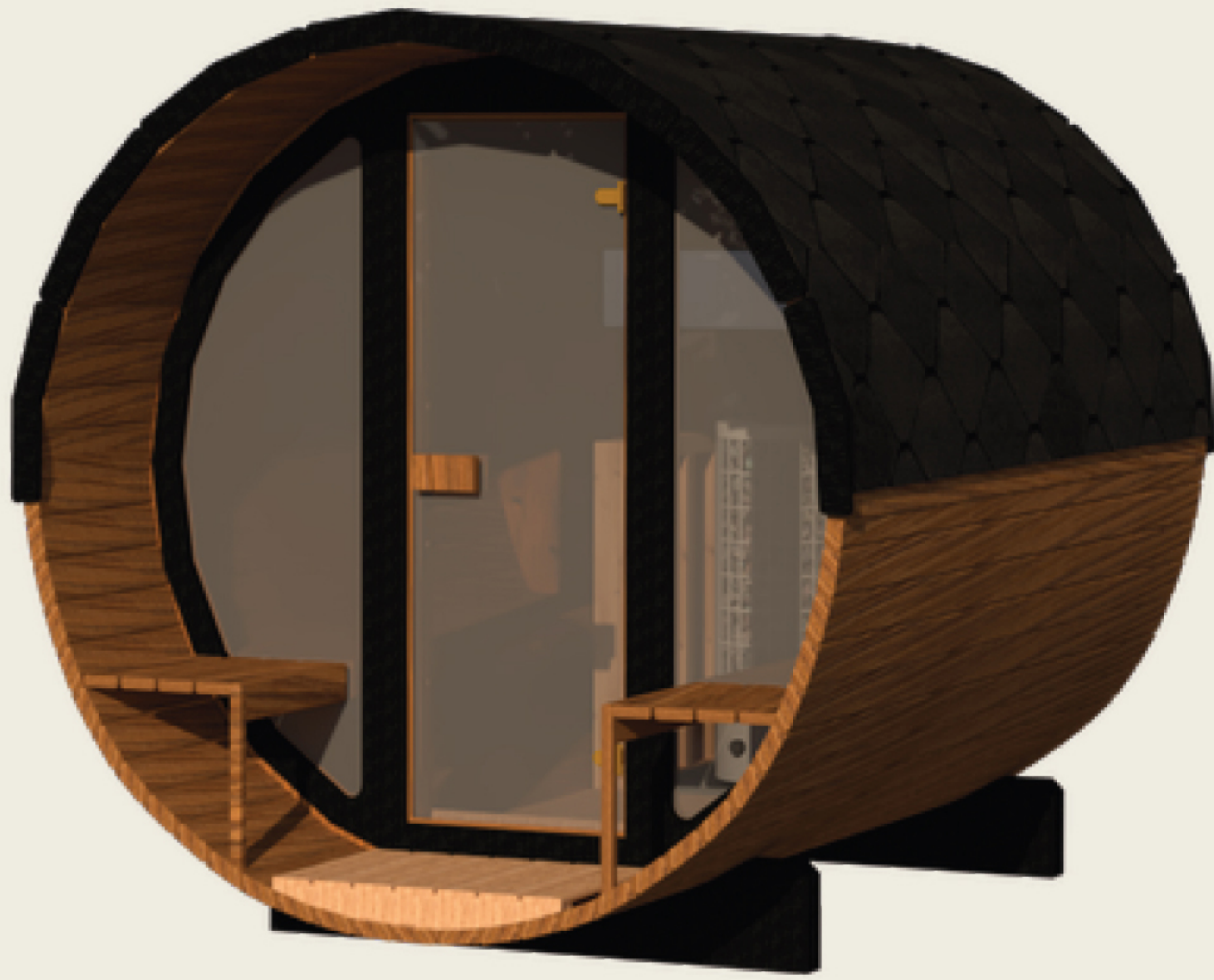
Square mini

Defined by its softened square form and compact footprint, this sauna offers a refined and intimate wellness experience. The simple geometry and natural wood finish give it a calm, modern presence in any outdoor setting.

2080 mm



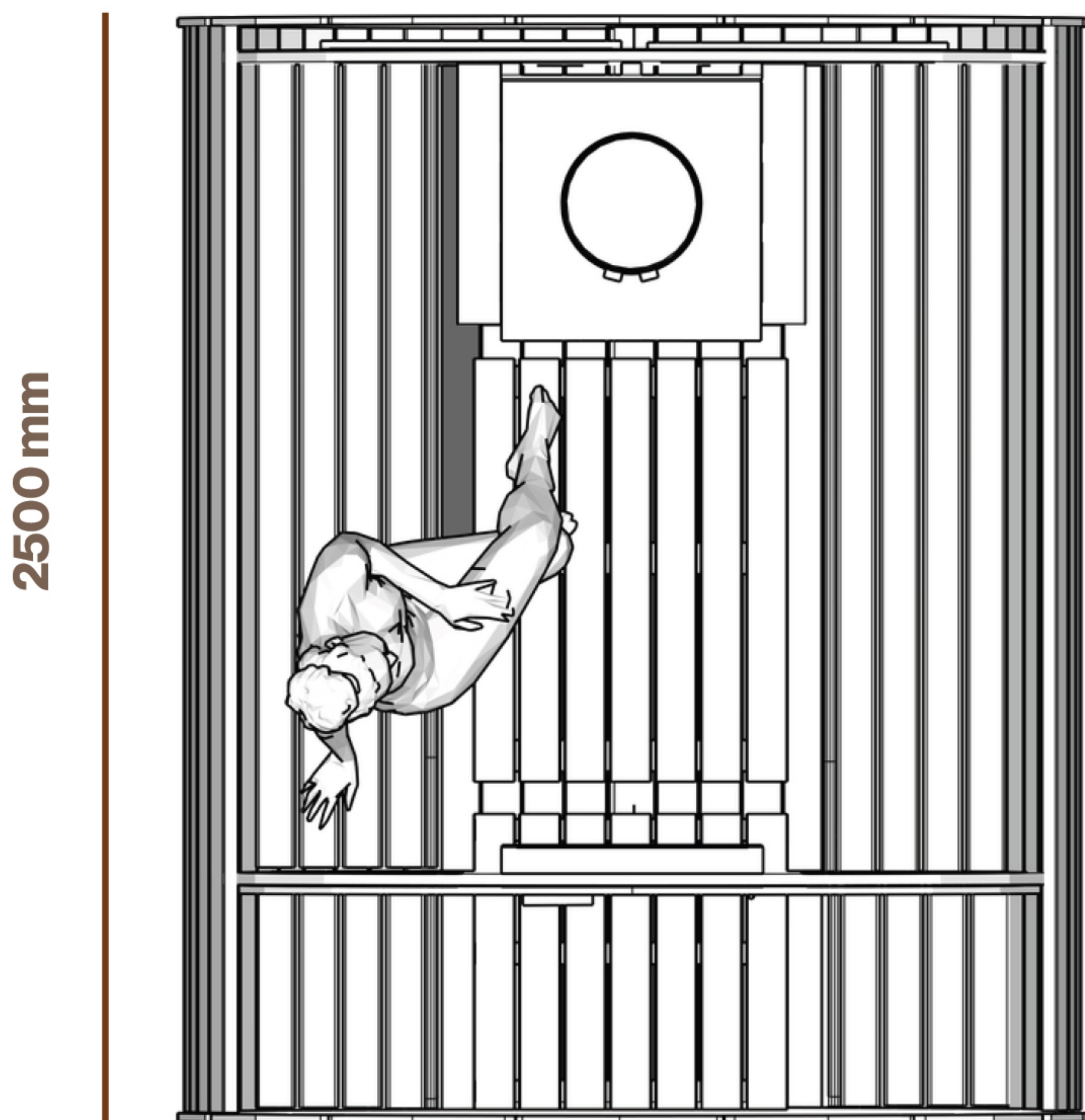
-  2320 mm
-  Up to 4 persons
-  Suitable for year-round use
-  Natural wood
-  LED lighting
-  Wood-fired or electric heating



Barrel 250

Defined by its classic barrel form, this sauna includes a small front terrace that extends the experience outdoors. The rounded structure ensures efficient heat circulation while creating a warm and inviting atmosphere.

2000 mm



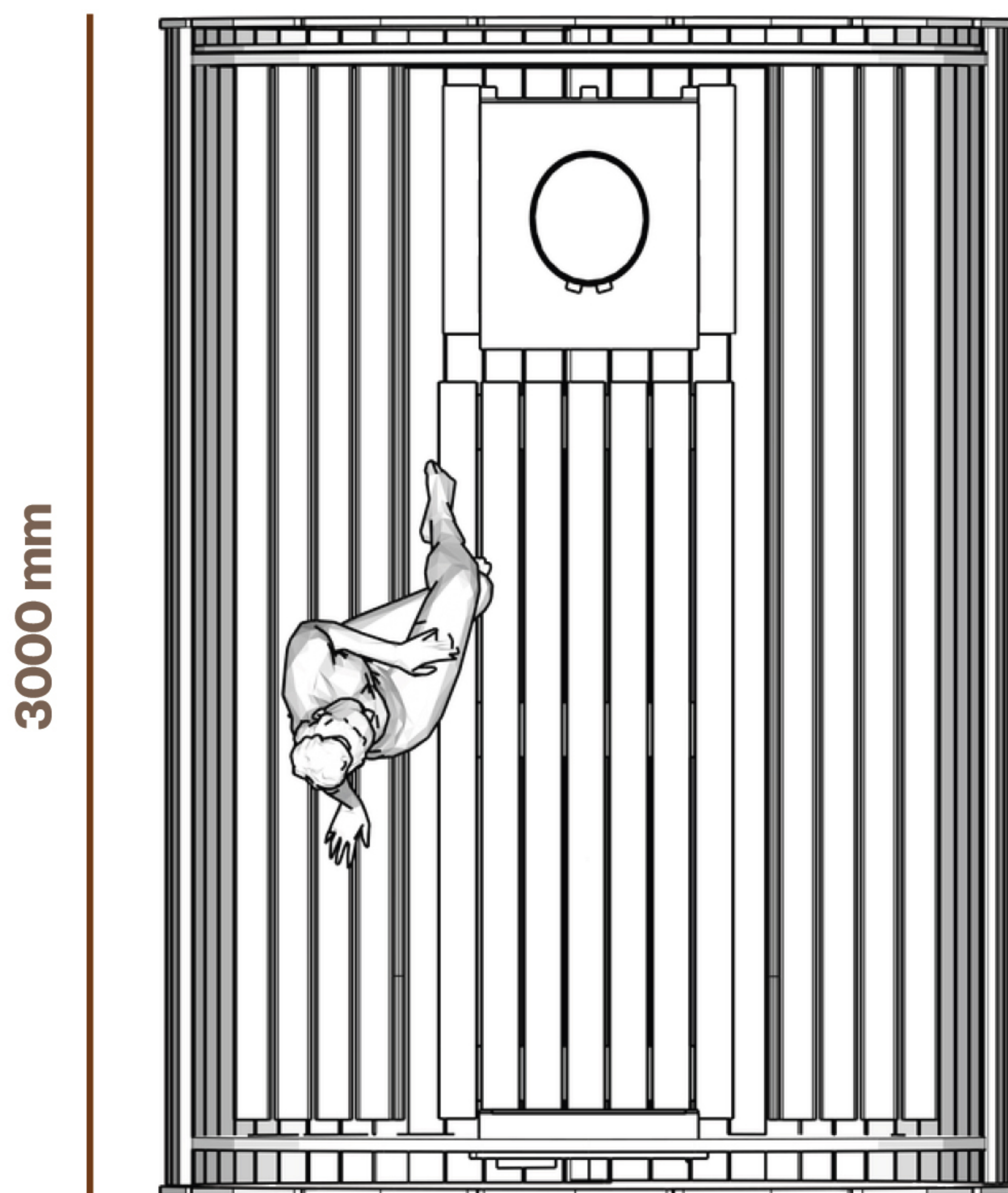
-  2300 mm
-  Up to 4 persons
-  Suitable for year-round use
-  Natural wood
-  LED lighting
-  Wood-fired or electric heating



Barrel 300

This extended traditional barrel sauna features a classic rounded form without a front terrace, offering a clean and timeless appearance. The elongated design provides additional interior space while maintaining efficient heat circulation and a warm, authentic sauna atmosphere.

2000 mm

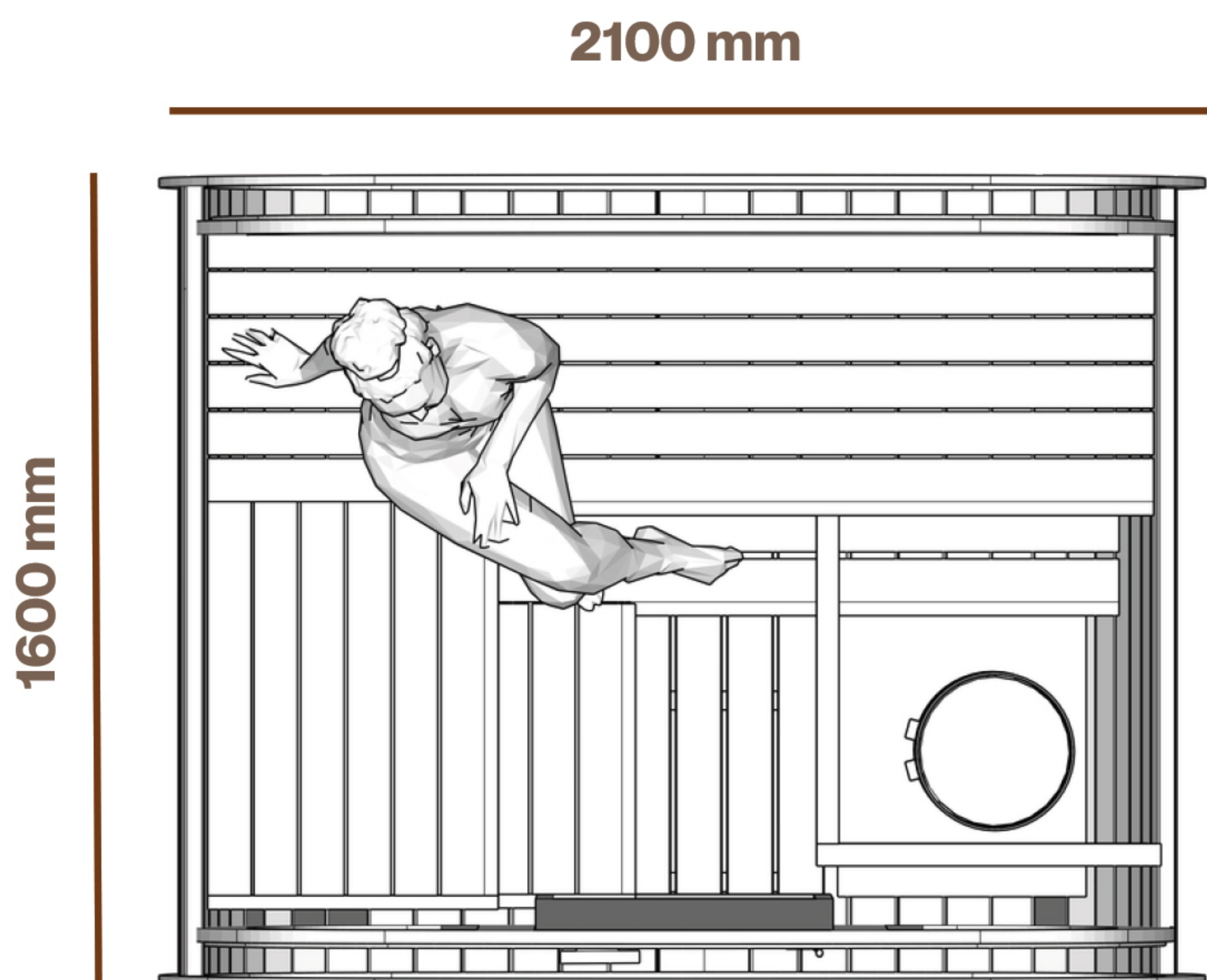


-  2300 mm
-  Up to 4 - 6 people
-  Suitable for year-round use
-  Natural wood
-  LED lighting
-  Wood-fired or electric heating

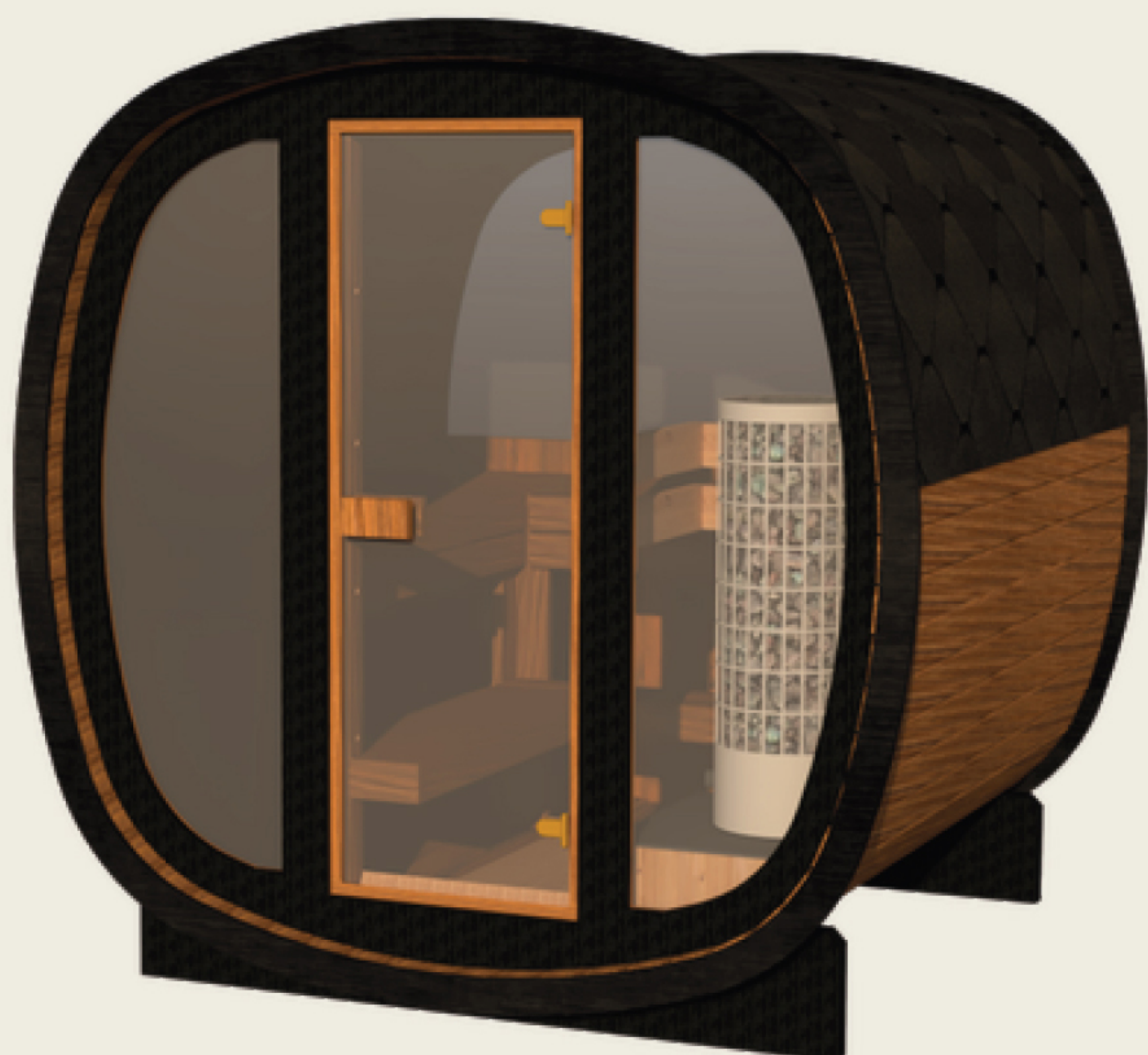


BUS 160

This sauna features a softly rounded cubic form, blending modern geometry with smooth, flowing lines. The curved silhouette creates a distinctive and contemporary outdoor presence while maintaining a warm and intimate interior atmosphere.

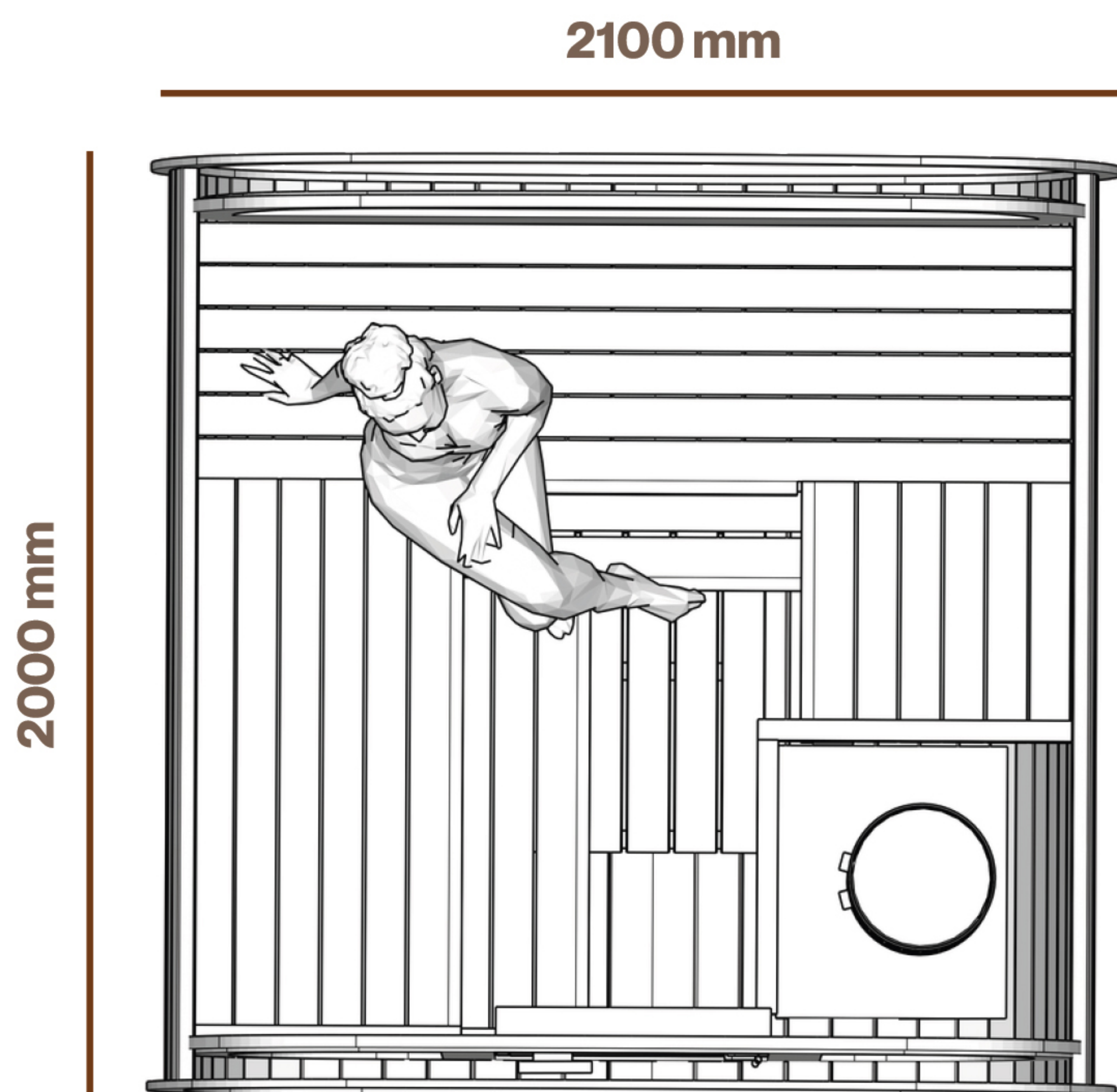


-  2300 mm
-  Up to 3 persons
-  Suitable for year-round use
-  Natural wood
-  LED lighting
-  Wood-fired or electric heating



BUS 200

This extended version of the rounded cube sauna offers a more spacious interior while maintaining its soft, sculptural form. The balanced curves and modern silhouette create a distinctive outdoor presence, combining comfort, design, and efficient heat performance.

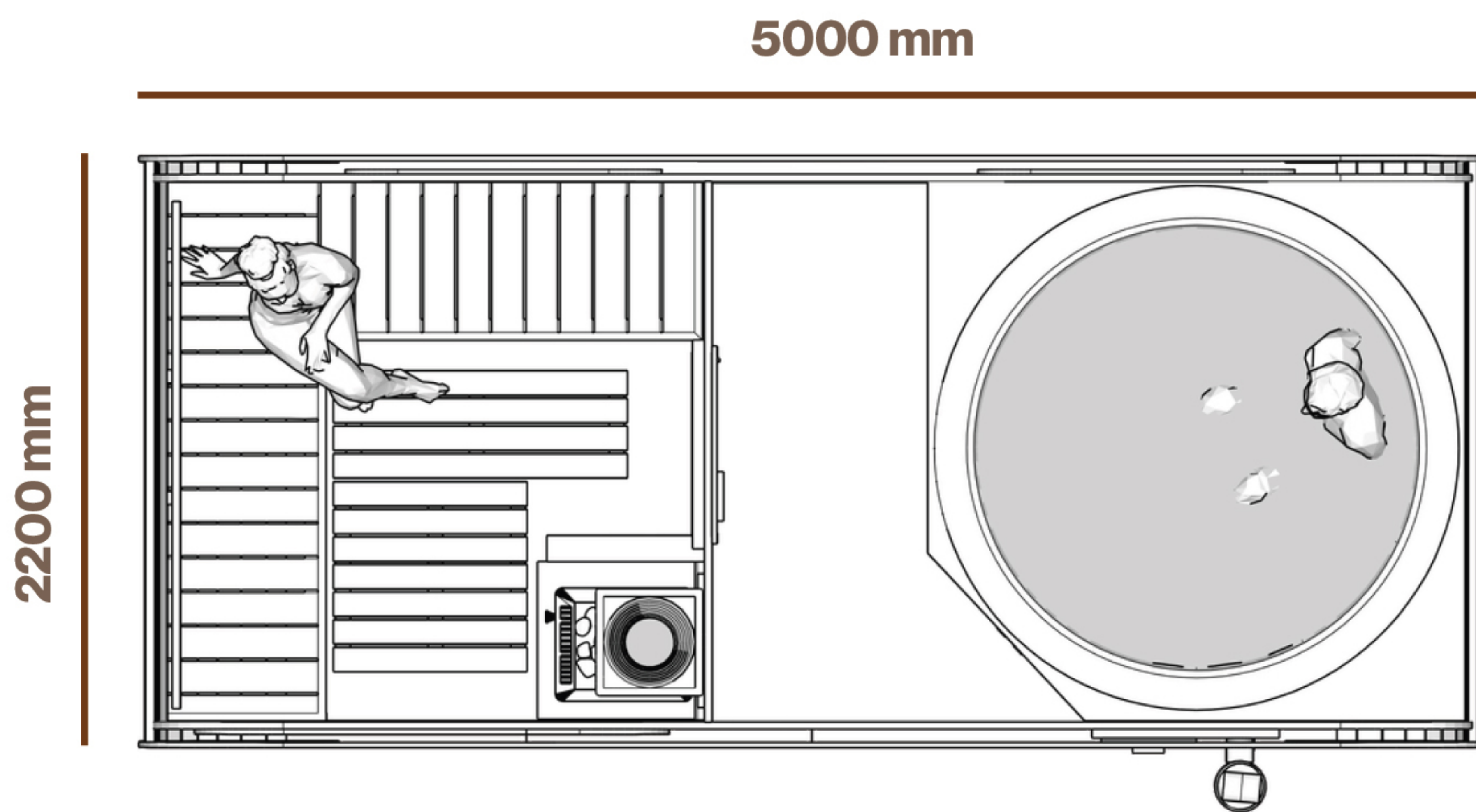


-  2300 mm
-  Up to 5 persons
-  Suitable for year-round use
-  Natural wood
-  LED lighting
-  Wood-fired or electric heating



MiniLux New

A sauna and hot tub combined under one roof, creating a compact and seamless outdoor wellness space. Available with a smaller or larger sauna window to balance privacy and natural light.



2330 mm

Up to 4 - 6 people

Suitable for year-round use

Natural wood

LED lighting

Wood-fired or electric heating

Acrylic hot tub insert

Air and hydro massage system

Leather hot tub cover included



SAUNA & CO



Co. Westmeath, Mullingar, Ireland



0871946670



mark@modularoutlookireland.com



www.saunaandco.ie
